



VALISI

A brand of Asco Pompe

Diaphragm Pump



**Air Driven
Diaphragm Pumps
Plastic series**

Model V2CP Plastic

AIR OPERATED DOUBLE DIAPHRAGM PUMPS



A brand of Asco Pompe
Diaphragm Pumps

STEPPING UP WITH US

Specifications

Suction & Discharge Size:	1/4" x 1/4"
Standard Porting Location:	End lateral
Connection Types*:	FBSP
Air Inlet & Air Exhaust Size:	1/4" FNPT x 1/4" FNPT

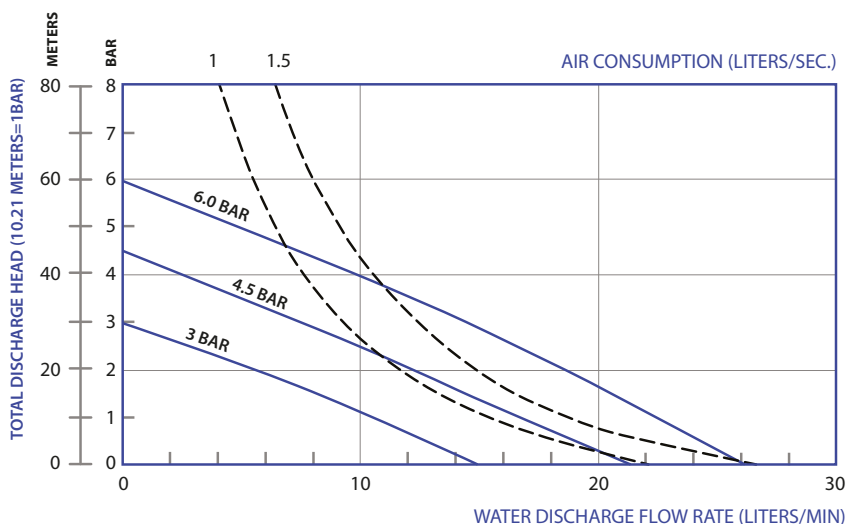
*Optional BSP threaded center port horizontal/vertical position

Capabilities

Max. Flow Rate:	26 lpm
Max. Air Supply Pressure:	6,0 bar
Displacement Per Stroke:	0,06 lit
Min. Air Inlet Pressure:	1,2 bar
Max. Particle Size:	1,0 mm
Sound Pressure:	68 dB(A)
Operating temperature:	Determined by elastomers



V2 Performance



Note: Full stroke diaphragm allows performance to be equal for all elastomers.

Typical Applications

- Acids & Bases
- Plating Solutions
- Paints, Inks, Solvents
- Ceramic Slip and Glaze
- Lubricants and Oils

Typical Industries

- Paints and Coatings
- Ceramics
- Pulp and Paper
- Electroplating & Anodizing
- Marine
- Chemical Manufacturing & Distribution
- OEM's



Excellence In Fluid Handling



Valisi Diaphragm pumps
a brand of Asco Pompe

Via Silvio Pellico, 6/8 - 20089 Rozzano (MI) - ITALY
Phone: +39 02 89257.1 - Fax: +39 02 89257.201
www.ascopompe.com - www.valisipumps.com
asco@ascopompe.com



A brand of Asco Pompe

Diaphragm Pumps

STEPPING UP WITH US

Construction

Wetted Materials:	Polypropylene, PVDF
Diaphragm Materials:	Santoprene™, PTFE
Air Valve:	Polypropylene
Ball Materials:	Santoprene™, PTFE
Seat Materials:	Santoprene™, Polypropylene
O-ring Materials:	NBR, PTFE

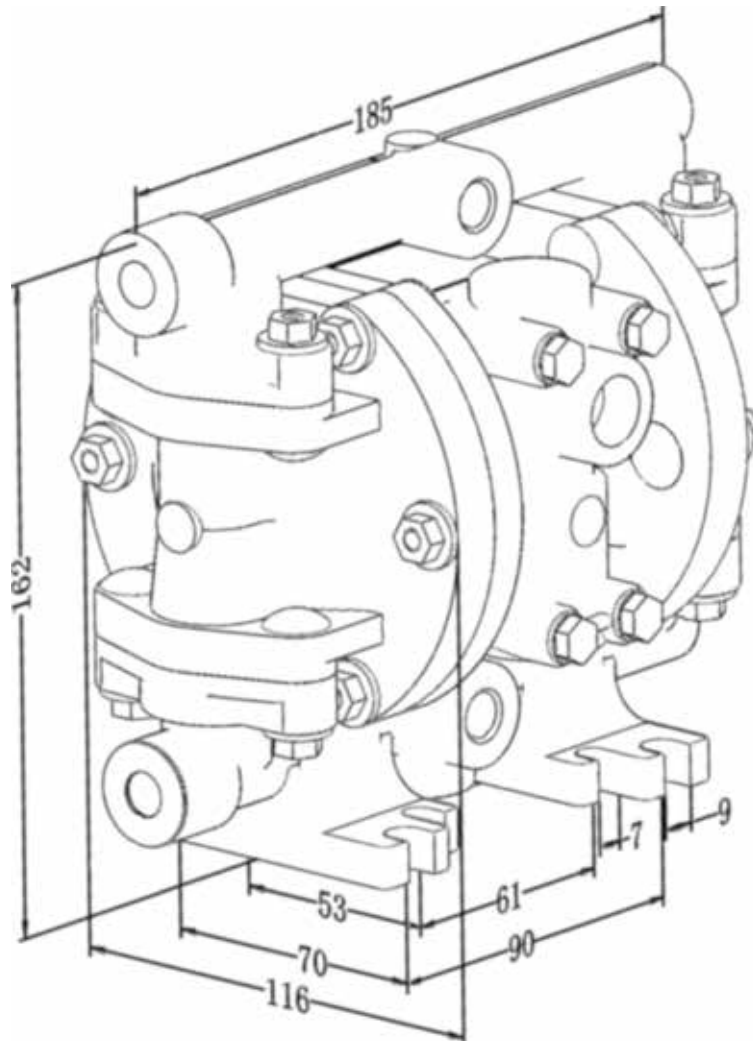
Santoprene™ is a registered tradename of Exxon Mobil Corp.

Dimensions

Maximum Height:	162 mm
Maximum Width:	185 mm
Maximum Depth:	116 mm

Weight

Polypropylene/PVDF:	1,3 / 1,4 kg
---------------------	--------------



Excellence In Fluid Handling



Valisi Diaphragm pumps
a brand of Asco Pompe

Via Silvio Pellico, 6/8 - 20089 Rozzano (MI) - ITALY
Phone: +39 02 89257.1 - Fax: +39 02 89257.201
www.ascopompe.com - www.valisipumps.com
asco@ascopompe.com

Model V5CP Plastic

AIR OPERATED DOUBLE DIAPHRAGM PUMPS



A brand of Asco Pompe
Diaphragm Pumps

STEPPING UP WITH US

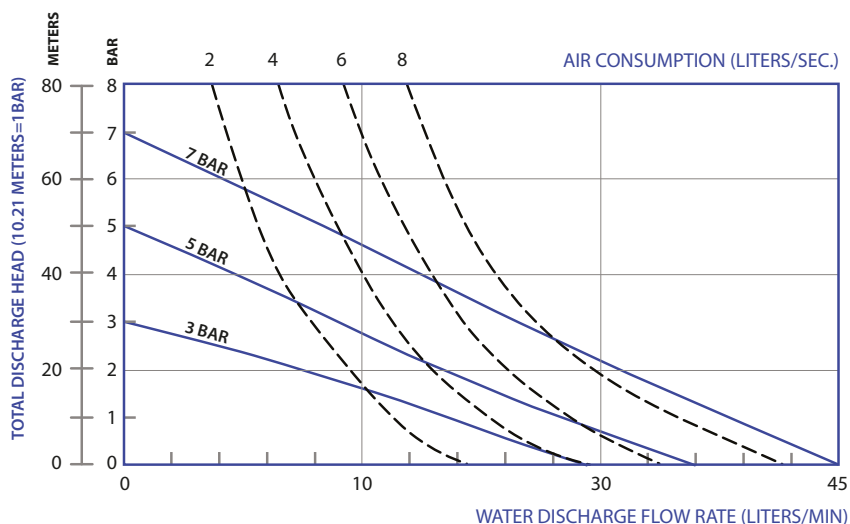
Specifications

Suction & Discharge Size:	1/2" x 1/2"
Standard Porting Location:	End lateral, Central Horizontal/Vertical
Connection Types:	FBSP
Air Inlet & Air Exhaust Size:	1/4" FNPT x 3/8" FNPT

Capabilities

Max. Flow Rate:	45,3 lpm
Max. Air Supply Pressure:	6,9 bar
Displacement Per Stroke:	0,14 lit
Min. Air Inlet Pressure:	0,9 bar
Max. Particle Size:	2,5 mm
Sound Pressure:	75 dB(A)
Operating temperature:	Determined by elastomers

V5 Performance



Note: Full stroke diaphragm allows performance to be equal for all elastomers.



Typical Applications

- Acids & Bases
- Plating Solutions
- Paints, Inks, Solvents
- Ceramic Glaze
- Lubricants and Oils

Typical Industries

- Mining
- Paints and Coatings
- Ceramics
- Pulp and Paper
- Electroplating & Anodizing
- Marine
- Chemical Manufacturing & Distribution
- OEM's



Excellence In Fluid Handling



Valisi Diaphragm pumps
a brand of Asco Pompe

Via Silvio Pellico, 6/8 - 20089 Rozzano (MI) - ITALY
Phone: +39 02 89257.1 - Fax: +39 02 89257.201
www.ascopompe.com - www.valisipumps.com
asco@ascopompe.com



A brand of Asco Pompe

Diaphragm Pumps

STEPPING UP WITH US

Construction

Wetted Materials:	Polypropylene
Diaphragm Materials:	Santoprene™, PTFE
Air Valve:	Polypropylene
Ball Materials:	Santoprene™, PTFE
Seat Materials:	Santoprene™, Polypropylene
O-ring Materials:	NBR, PTFE

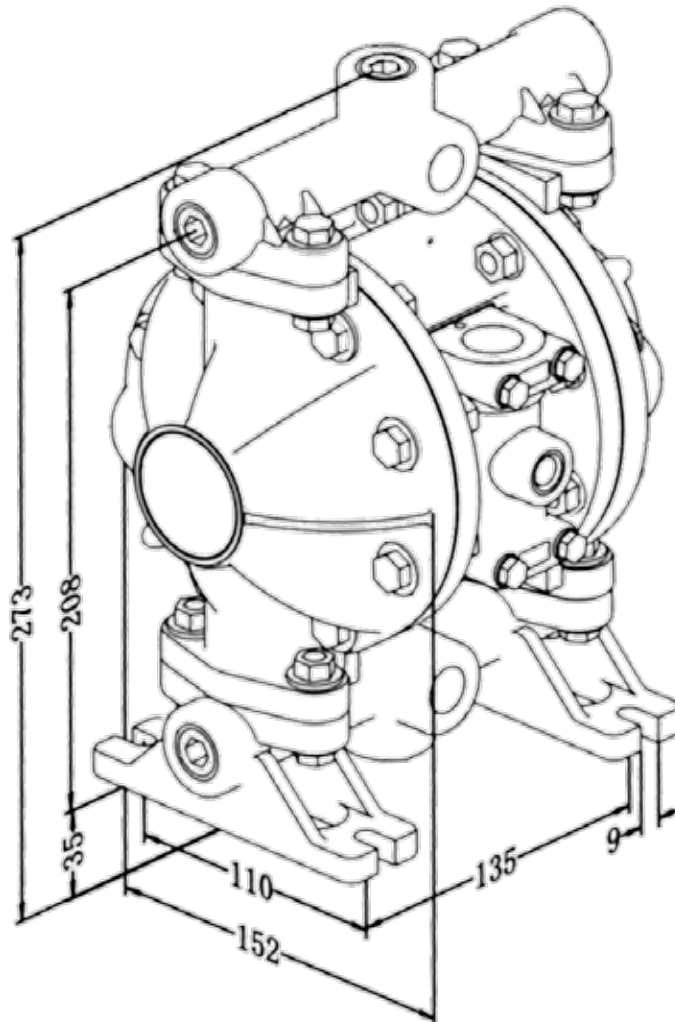
Santoprene™ is a registered tradename of Exxon Mobil Corp.

Dimensions

Maximum Height:	273 mm
Maximum Width:	188 mm
Maximum Depth:	152 mm

Weight

Polypropylene:	2,4 kg
----------------	--------



Excellence In Fluid Handling



Valisi Diaphragm pumps
a brand of Asco Pompe

Via Silvio Pellico, 6/8 - 20089 Rozzano (MI) - ITALY
Phone: +39 02 89257.1 - Fax: +39 02 89257.201
www.ascopompe.com - www.valisipumps.com
asco@ascopompe.com

Model V10TP

AIR OPERATED DOUBLE DIAPHRAGM PUMPS



A brand of Asco Pompe

Diaphragm Pumps

STEPPING UP WITH US

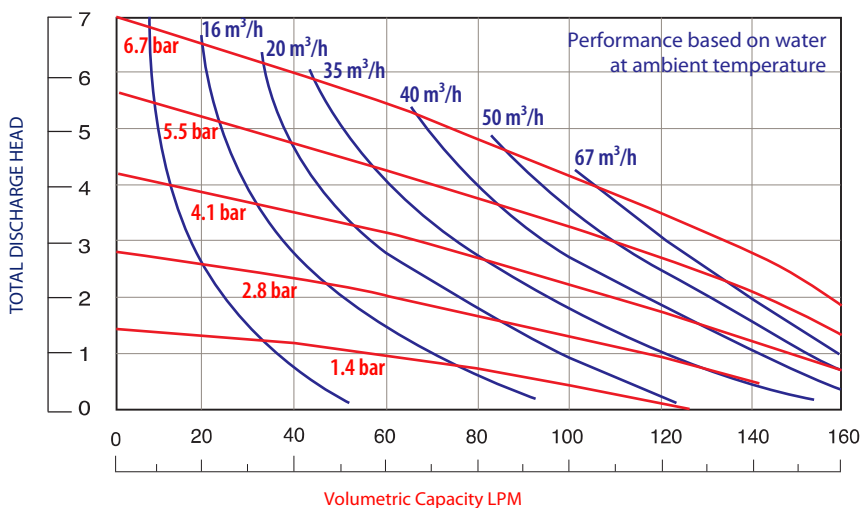
Specifications

Suction & Discharge Size:	1" x 1"
Standard Porting Location:	Central
Connection Types:	DIN flange
Air Inlet & Air Exhaust Size:	½" BSP x 1" BSP

Capabilities

Max. Flow Rate:	160 lpm
Max. Air Supply Pressure:	7 bar
Displacement Per Stroke:	0,82 lit
Min. Air Inlet Pressure:	0,9 bar
Max. Particle Size:	4 mm
Sound Pressure:	82 dB(A)
Operating temperature:	Determined by elastomers

V10TP Performance



Typical Applications

- Acids & Bases
- Plating Solutions
- Wastewater
- Paints, Inks, Solvents
- Ceramic Slip and Glaze
- Lubricants and Oils

Typical Industries

- Mining
- Paints and Coatings
- Ceramics
- Pulp and Paper
- Electroplating & Anodizing
- Wastewater
- Marine
- Chemical Manufacturing & Distribution
- OEM's



Excellence In Fluid Handling



Valisi Diaphragm pumps
a brand of Asco Pompe

Via Silvio Pellico, 6/8 - 20089 Rozzano (MI) - ITALY
Phone: +39 02 89257.1 - Fax: +39 02 89257.201
www.ascopompe.com - www.valisipumps.com
asco@ascopompe.com

STEPPING UP WITH US



A brand of Asco Pompe

Diaphragm Pumps

Construction

Wetted Materials:	Polypropylene, PVDF
Diaphragm Materials:	Santoprene™, PTFE
Air Valve:	Plastic
Ball Materials:	PTFE, Santoprene™, SS
Seat Materials:	Polypropylene, PVDF, PTFE
O-ring Materials:	Santoprene™, PTFE

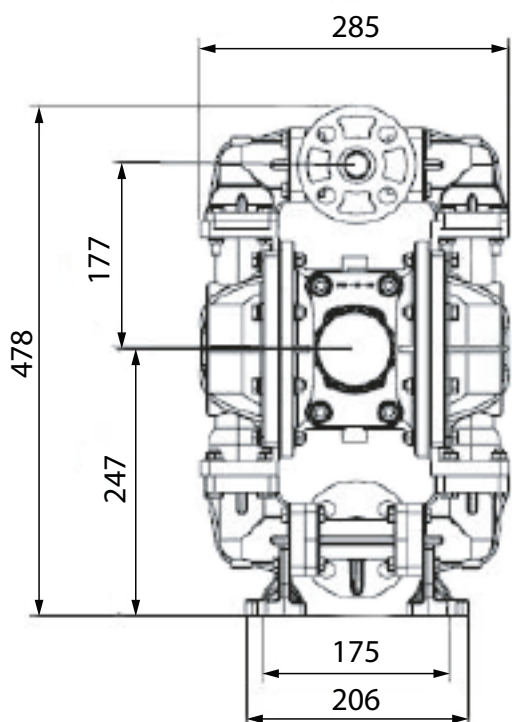
Santoprene™ is a registered tradename of Exxon Mobil Corp.

Dimensions

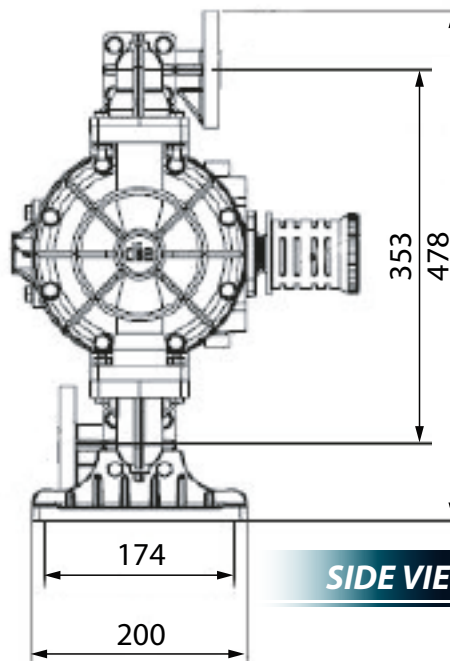
Maximum Height:	478 mm
Maximum Width:	285 mm
Maximum Depth:	321 mm

Weight

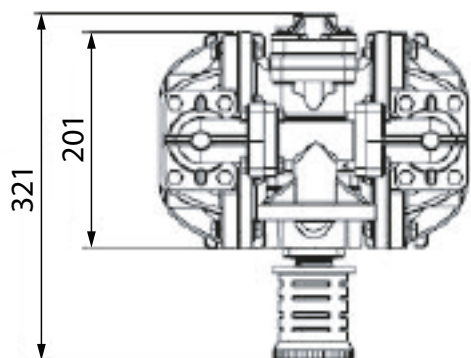
Polypropylene:	9 kg
PVDF:	12 kg



FRONT VIEW



SIDE VIEW



BOTTOM VIEW



Excellence In Fluid Handling



Valisi Diaphragm pumps a brand of Asco Pompe

Via Silvio Pellico, 6/8 - 20089 Rozzano (MI) - ITALY
 Phone: +39 02 89257.1 - Fax: +39 02 89257.201
www.ascopompe.com - www.valisipumps.com
asco@ascopompe.com

Model V15CP Plastic

AIR OPERATED DOUBLE DIAPHRAGM PUMPS



A brand of Asco Pompe

Diaphragm Pumps

STEPPING UP WITH US

Specifications

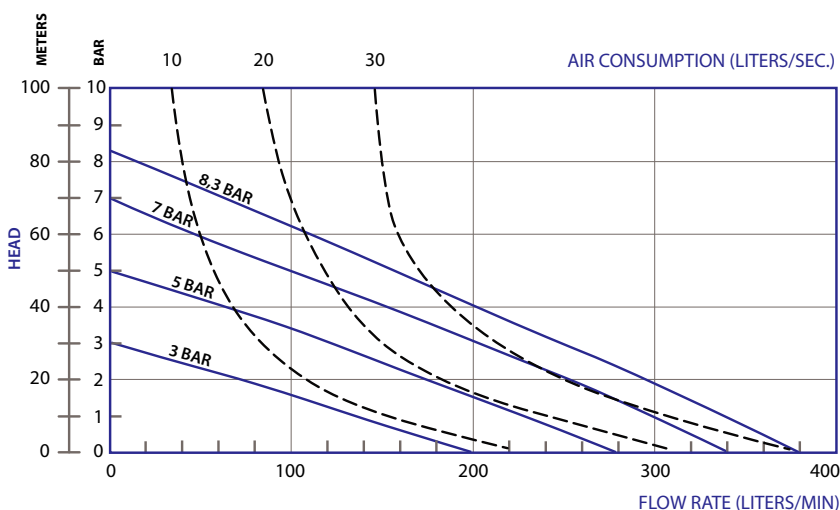
Suction & Discharge Size:	1 1/2" x 1 1/2"
Standard Porting Location:	End lateral
Connection Types:	Flange ANSI/DIN
Air Inlet & Air Exhaust Size:	1/2" FNPT x 3/4" FNPT

Capabilities

Max. Flow Rate:	378 lpm
Max. Air Supply Pressure:	8,3 bar
Displacement Per Stroke:	2,83 lit
Min. Air Inlet Pressure:	0,9 bar
Max. Particle Size:	6,0 mm
Sound Pressure:	75 dB(A)
Operating temperature:	Determined by elastomers



V15 Performance



Note: Full stroke diaphragm allows performance to be equal for all elastomers.

Typical Applications

- Acids & Bases
- Plating Solutions
- Paints, Inks, Solvents
- Ceramic Glaze
- Lubricants and Oils

Typical Industries

- Mining
- Paints and Coatings
- Ceramics
- Pulp and Paper
- Electroplating & Anodizing
- Marine
- Chemical Manufacturing & Distribution
- OEM's



Excellence In Fluid Handling



Valisi Diaphragm pumps
a brand of Asco Pompe

Via Silvio Pellico, 6/8 - 20089 Rozzano (MI) - ITALY
Phone: +39 02 89257.1 - Fax: +39 02 89257.201
www.ascopompe.com - www.valisipumps.com
asco@ascopompe.com



A brand of Asco Pompe

Diaphragm Pumps

STEPPING UP WITH US

Construction

Wetted Materials:	Polypropylene
Diaphragm Materials:	Santoprene™, PTFE
Air Valve:	Polypropylene
Ball Materials:	Santoprene™, PTFE
Seat Materials:	Santoprene™, Polypropylene
O-ring Materials:	NBR, PTFE

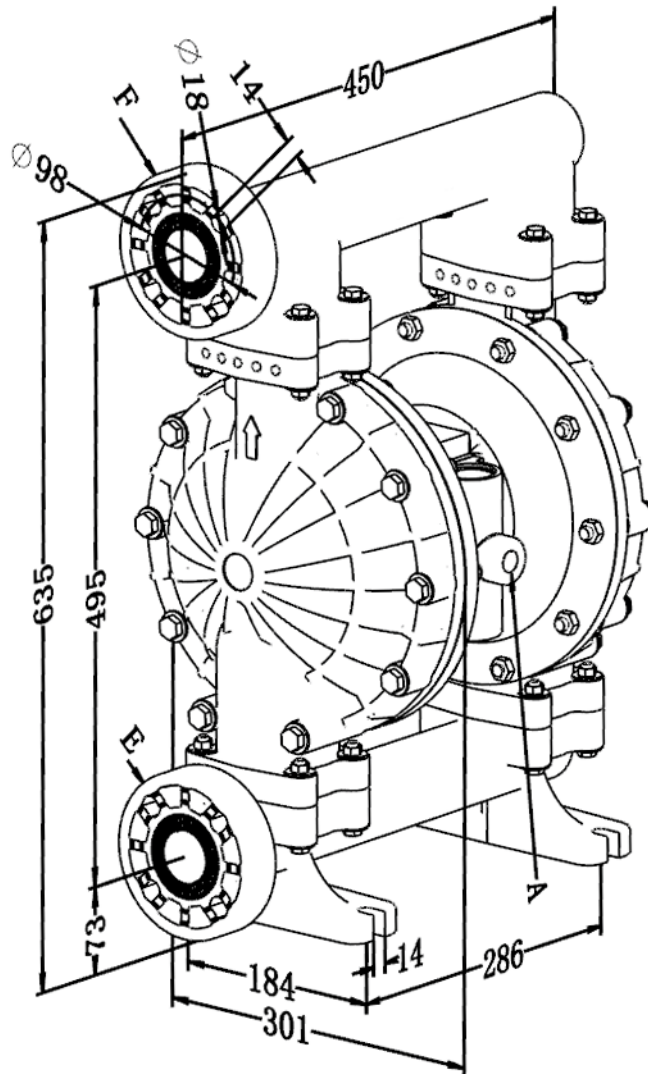
Santoprene™ is a registered tradename of Exxon Mobil Corp.

Dimensions

Maximum Height:	635 mm
Maximum Width:	450 mm
Maximum Depth:	301 mm

Weight

Polypropylene:	19 kg
----------------	-------



Excellence In Fluid Handling



Valisi Diaphragm pumps
a brand of Asco Pompe

Via Silvio Pellico, 6/8 - 20089 Rozzano (MI) - ITALY
Phone: +39 02 89257.1 - Fax: +39 02 89257.201
www.ascopompe.com - www.valisipumps.com
asco@ascopompe.com

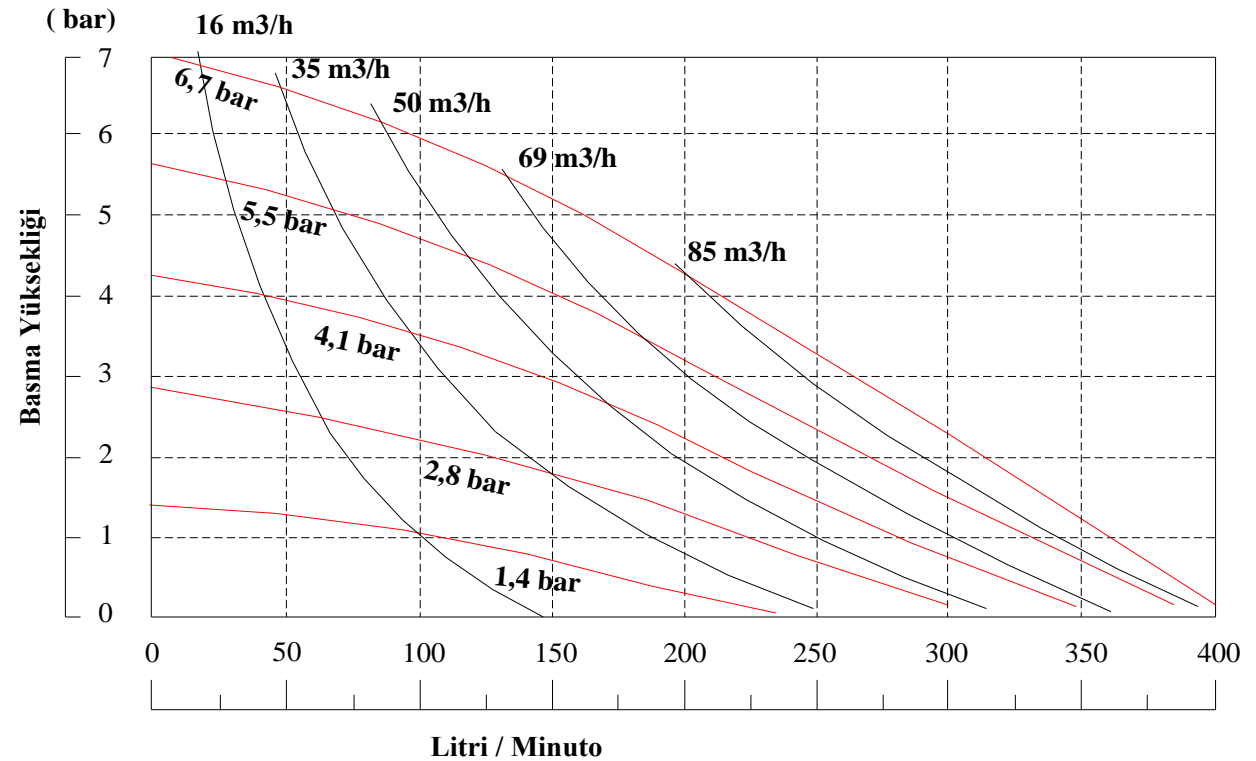
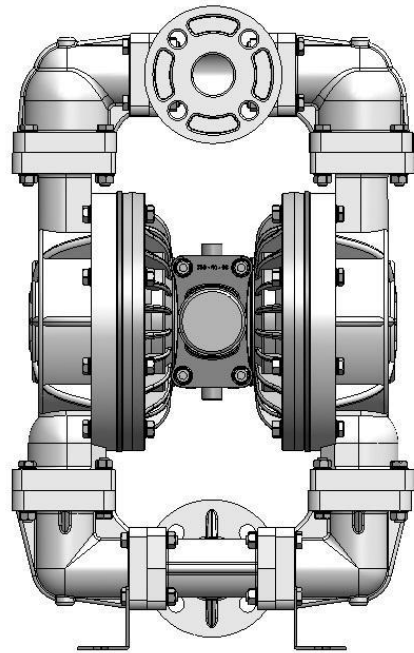
Model V15TP

AIR OPERATED DOUBLE DIAPHRAGM PUMPS



A brand of Asco Pompe
Diaphragm Pumps

PERFORMANCE CURVES



Suction / Discharge 1½"	Max. Capacity 400 lpm	Max. Solid particle (6 mm)	Max. Operation pressure 7 bar	Weight 20 kg (PP)
-------------------------	-----------------------	----------------------------	-------------------------------	-------------------

The operation pressure is 0 to 7 bars.
Operation temperature is between (-18 °C and 100 °C.)

Valisi Diaphragm pumps
a brand of Asco Pompe

Via Silvio Pellico, 6/8 - 20089 Rozzano (MI) - ITALY
Phone: +39 02 89257.1 - Fax: +39 02 89257.201
www.ascopompe.com - www.valisipumps.com
asco@ascopompe.com

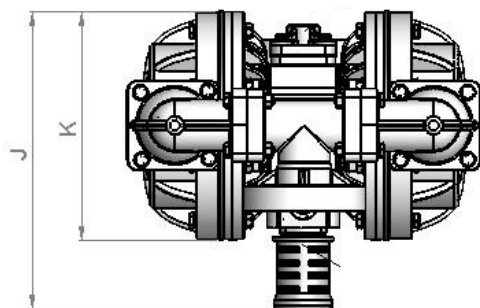
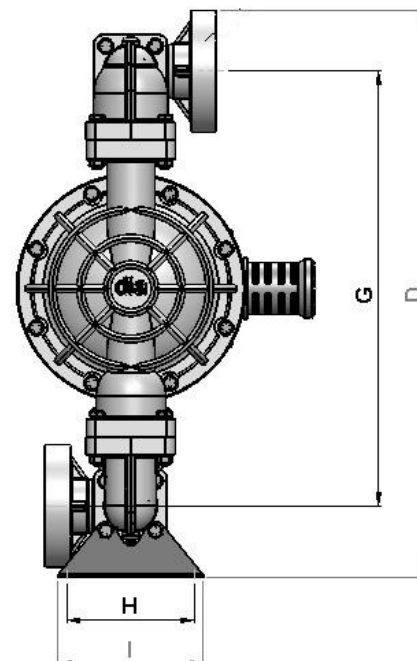
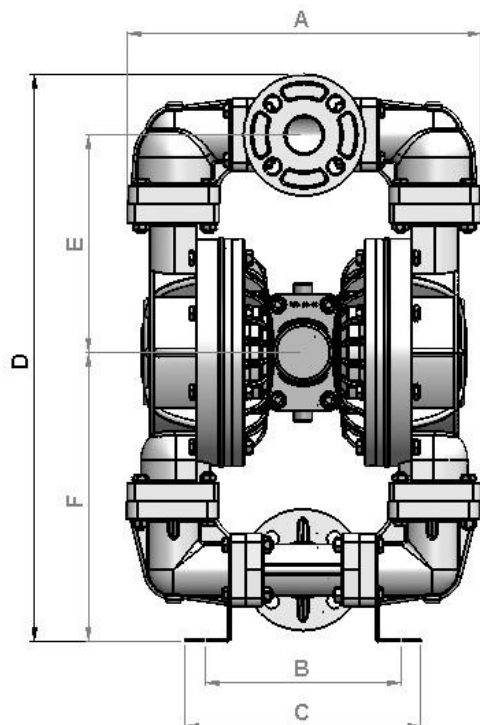
Model V15TP

AIR OPERATED DOUBLE DIAPHRAGM PUMPS



A brand of Asco Pompe

Diaphragm Pumps



A	B	C	D	E	F	G	H	I	J	K
437,5	240	290	701,5	267	357,5	538	150	180	367,5	283

Valisi Diaphragm pumps
a brand of Asco Pompe

Via Silvio Pellico, 6/8 - 20089 Rozzano (MI) - ITALY
Phone: +39 02 89257.1 - Fax: +39 02 89257.201
www.ascopompe.com - www.valisipumps.com
asco@ascopompe.com

Model V20CP Plastic

AIR OPERATED DOUBLE DIAPHRAGM PUMPS



A brand of Asco Pompe
Diaphragm Pumps

STEPPING UP WITH US

Specifications

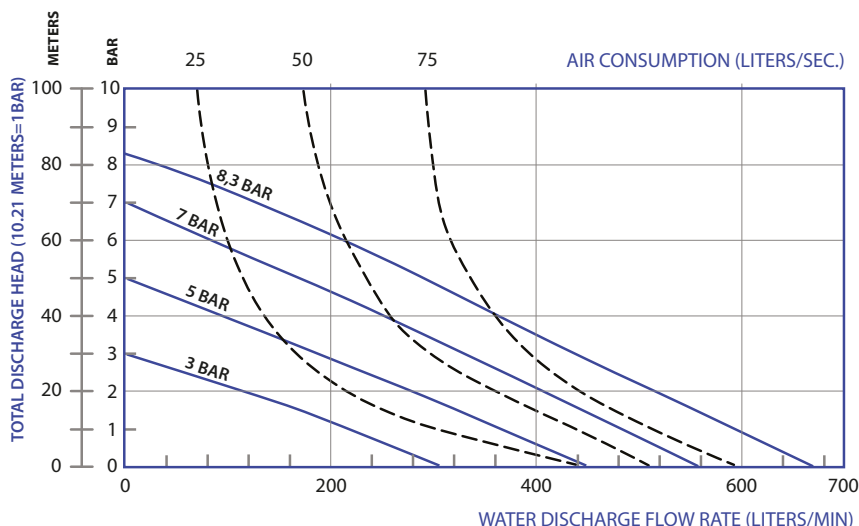
Suction & Discharge Size:	2" x 2"
Standard Porting Location:	End lateral
Connection Types:	Flange ANSI/DIN
Air Inlet & Air Exhaust Size:	3/4" FNPT x 3/4" FNPT

Capabilities

Max. Flow Rate:	667 lpm
Max. Air Supply Pressure:	8,3 bar
Displacement Per Stroke:	3,78 lit
Min. Air Inlet Pressure:	0,9 bar
Max. Particle Size:	7,0 mm
Sound Pressure:	75 dB(A)
Operating temperature:	Determined by elastomers



V20 Performance



Note: Full stroke diaphragm allows performance to be equal for all elastomers.

Typical Applications

- Acids & Bases
- Plating Solutions
- Paints, Inks, Solvents
- Ceramic Glaze
- Lubricants and Oils

Typical Industries

- Mining
- Paints and Coatings
- Ceramics
- Pulp and Paper
- Electroplating & Anodizing
- Marine
- Chemical Manufacturing & Distribution
- OEM's



Excellence In Fluid Handling



Valisi Diaphragm pumps
a brand of Asco Pompe

Via Silvio Pellico, 6/8 - 20089 Rozzano (MI) - ITALY
Phone: +39 02 89257.1 - Fax: +39 02 89257.201
www.ascopompe.com - www.valisipumps.com
asco@ascopompe.com



A brand of Asco Pompe

Diaphragm Pumps

STEPPING UP WITH US

Construction

Wetted Materials:	Polypropylene
Diaphragm Materials:	Santoprene™, PTFE
Air Valve:	Polypropylene
Ball Materials:	Santoprene™, PTFE
Seat Materials:	Santoprene™, Polypropylene
O-ring Materials:	NBR, PTFE

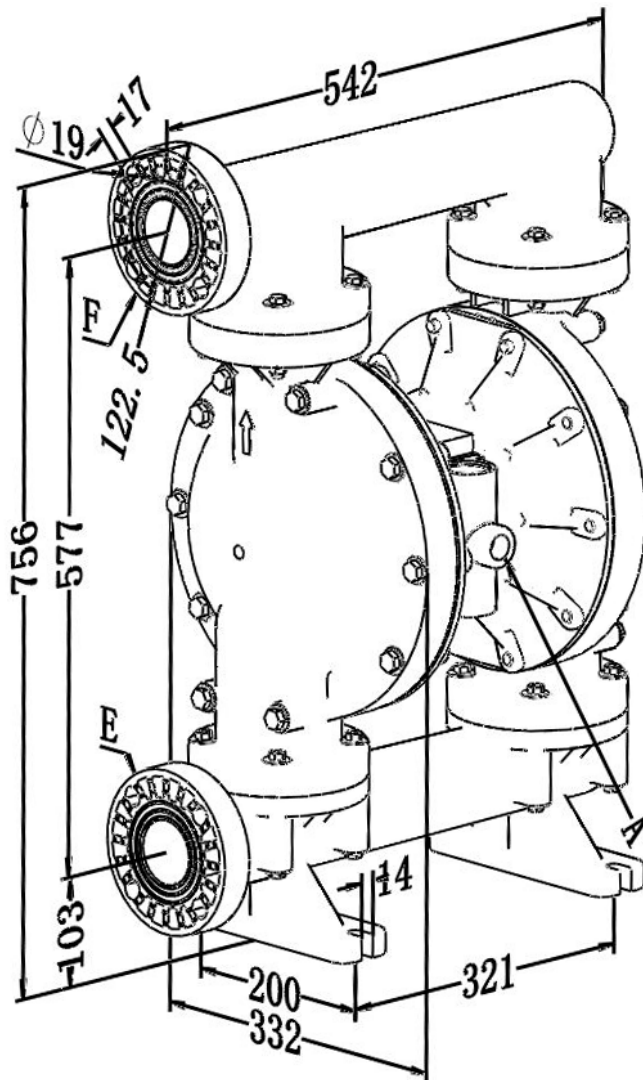
Santoprene™ is a registered tradename of Exxon Mobil Corp.

Dimensions

Maximum Height:	756 mm
Maximum Width:	542 mm
Maximum Depth:	332 mm

Weight

Polypropylene:	26 kg
----------------	-------



Excellence In Fluid Handling



Valisi Diaphragm pumps
a brand of Asco Pompe

Via Silvio Pellico, 6/8 - 20089 Rozzano (MI) - ITALY
Phone: +39 02 89257.1 - Fax: +39 02 89257.201
www.ascopompe.com - www.valisipumps.com
asco@ascopompe.com

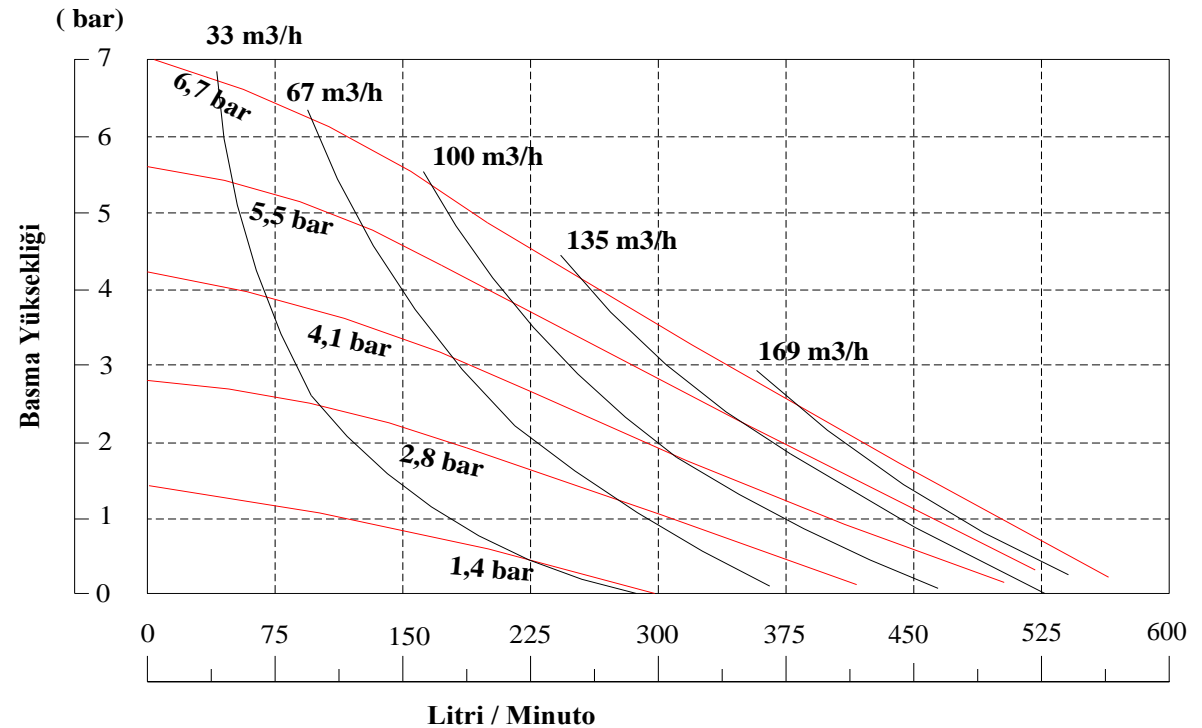
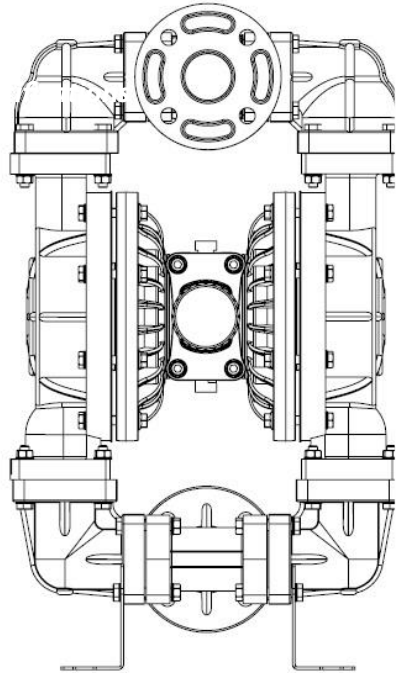
Model V20TP

AIR OPERATED DOUBLE DIAPHRAGM PUMPS



A brand of Asco Pompe
Diaphragm Pumps

PERFORMANCE CURVES



Suction / Discharge 2"	Max. Capacity 565 lpm	Max. Solid particle (6 mm)	Max. Operation pressure 7 bar	Weight 32 kg (PP)
------------------------	-----------------------	----------------------------	-------------------------------	-------------------

The operation pressure is 0 to 7 bars.
Operation temperature is between (-18 °C and 100 °C.)

Valisi Diaphragm pumps
a brand of Asco Pompe

Via Silvio Pellico, 6/8 - 20089 Rozzano (MI) - ITALY
Phone: +39 02 89257.1 - Fax: +39 02 89257.201
www.ascopompe.com - www.valisipumps.com
asco@ascopompe.com

Model V20TP

AIR OPERATED DOUBLE DIAPHRAGM PUMPS

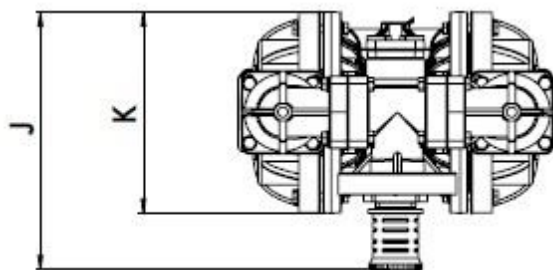
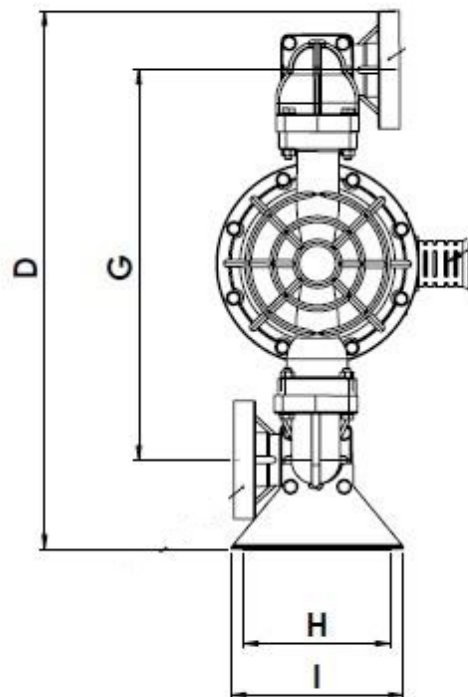
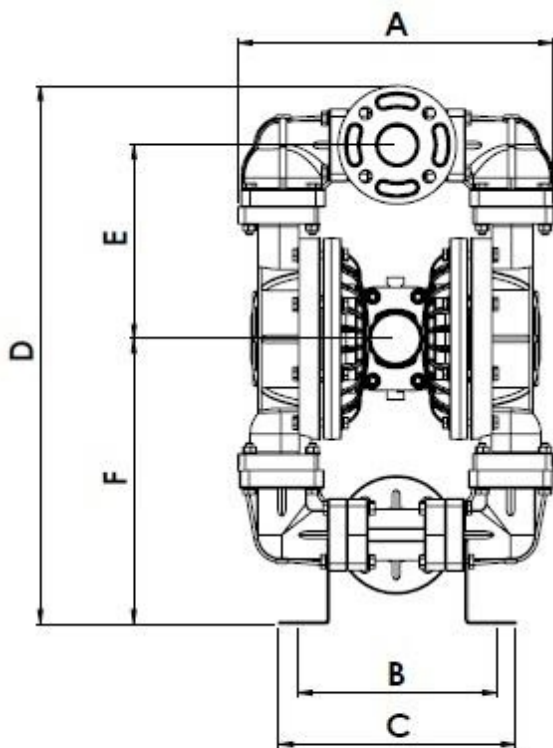
Dimensional tolerances ± 3 mm



VALISI

A brand of Asco Pompe

Diaphragm Pumps



A	B	C	D	E	F	G	H	I	J	K
440	278	330	750	270	398	545	205	240	360	280

Valisi Diaphragm pumps
a brand of Asco Pompe

Via Silvio Pellico, 6/8 - 20089 Rozzano (MI) - ITALY
Phone: +39 02 89257.1 - Fax: +39 02 89257.201
www.ascopompe.com - www.valisipumps.com
asco@ascopompe.com

Model V30TP

AIR OPERATED DOUBLE DIAPHRAGM PUMPS



A brand of Asco Pompe

Diaphragm Pumps

STEPPING UP WITH US

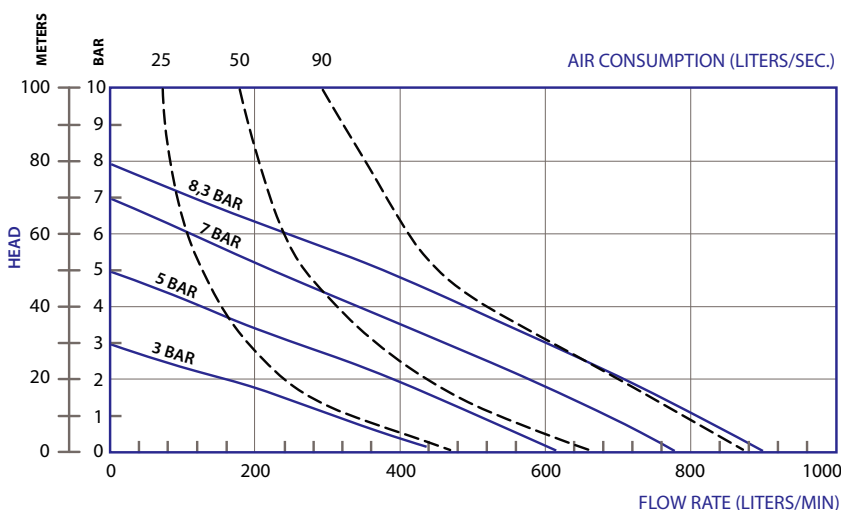
Specifications

Suction & Discharge Size:	3" x 3"
Standard Porting Location:	Central
Connection Types:	DIN & ANSI flange
Air Inlet & Air Exhaust Size:	3/4" BSP x 1" BSP

Capabilities

Max. Flow Rate:	894 lpm
Max. Air Supply Pressure:	7 bar
Displacement Per Stroke:	7,5 lit
Min. Air Inlet Pressure:	0,9 bar
Max. Particle Size:	7 mm
Sound Pressure:	84 dB(A)
Operating temperature:	Determined by elastomers

V30TP Performance



Typical Applications

- Acids & Bases
- Plating Solutions
- Wastewater
- Paints, Inks, Solvents
- Ceramic Slip and Glaze
- Lubricants and Oils

Typical Industries

- Mining
- Paints and Coatings
- Ceramics
- Pulp and Paper
- Electroplating & Anodizing
- Wastewater
- Marine
- Chemical Manufacturing & Distribution
- OEM's



Excellence In Fluid Handling



Valisi Diaphragm pumps
a brand of Asco Pompe

Via Silvio Pellico, 6/8 - 20089 Rozzano (MI) - ITALY
Phone: +39 02 89257.1 - Fax: +39 02 89257.201
www.ascopompe.com - www.valisipumps.com
asco@ascopompe.com

STEPPING UP WITH US



A brand of Asco Pompe

Diaphragm Pumps

Construction

Wetted Materials:	Polypropylene with carbon fiber
Diaphragm Materials:	Santoprene™, PTFE
Air Valve:	Plastic
Ball Materials:	PTFE, Santoprene™
Seat Materials:	Polypropylene
O-ring Materials:	Santoprene™, PTFE

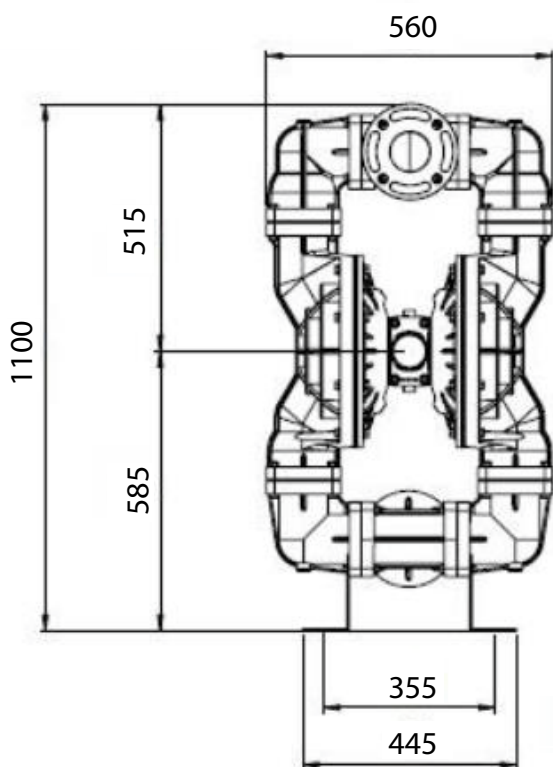
Santoprene™ is a registered tradename of Exxon Mobil Corp.

Dimensions

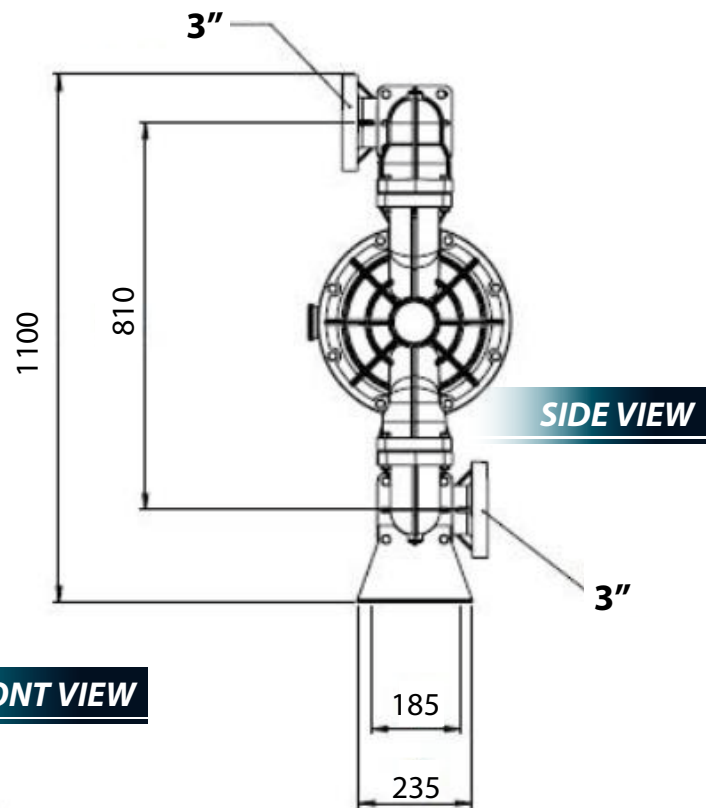
Maximum Height:	1100 mm
Maximum Width:	560 mm
Maximum Depth:	420 mm

Weight

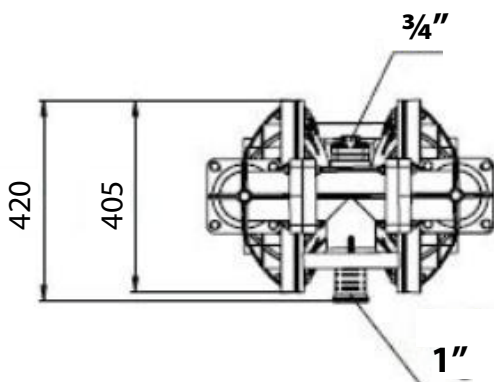
Polypropylene:	49 kg
----------------	-------



FRONT VIEW



SIDE VIEW



BOTTOM VIEW



Excellence In Fluid Handling



Valisi Diaphragm pumps a brand of Asco Pompe

Via Silvio Pellico, 6/8 - 20089 Rozzano (MI) - ITALY
 Phone: +39 02 89257.1 - Fax: +39 02 89257.201
www.ascopompe.com - www.valisipumps.com
asco@ascopompe.com



ISO POMPE
Excellence In Fluid Handling



Asco Pompe S.r.l.
 Via Silvio Pellico, 6/8
 20089 Rozzano (MI) - ITALY
 Phone: +39 02 89257.1
 Fax: +39 02 89257.201
 @: asco@ascopompe.com
 www.ascopompe.com
 www.valisipumps.com

