



VALISI

A brand of Asco Pompe

Diaphragm Pump



**Air Driven
Diaphragm Pumps
Metallic series**

Model V6661

1" Aluminum AODD Pump



A brand of Asco Pompe

Diaphragm Pumps

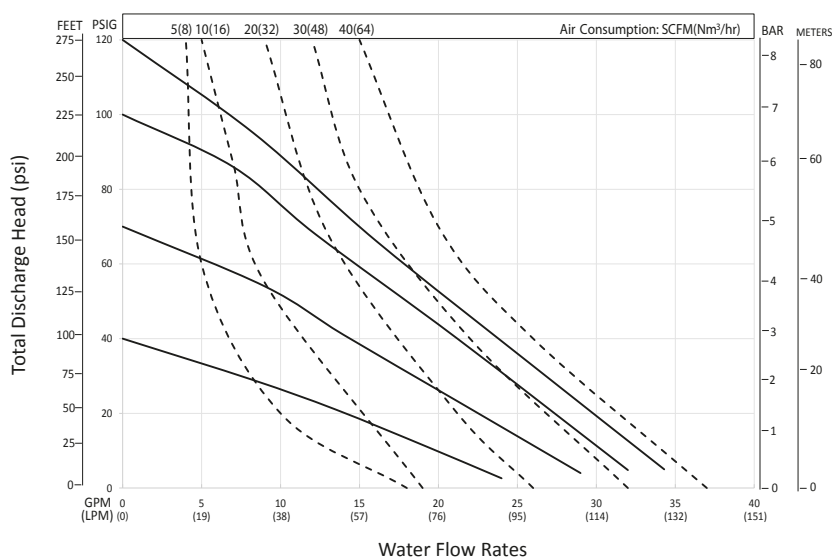
- *Same performance as ARO* Pro Series model**
- *Dimensionally interchangeable**
- *Same inlet/outlet as ARO* Pro Series model**
- *Complete parts interchangeability**
- *CE Certified**
- *ATEX Certified**

Capabilities

Max. Flow:	35 gpm (133 lpm)
Max. Air Inlet Pressure:	120 psi (8,3 bar)
Max. Working Pressure:	120 psi (8,3 bar)
Max. Material Inlet Pressure:	10 psi (0,69 bar)
Max. Air Consumption:	40 SCFM (19 l/sec)
Noise level:	71 dB(A)
Displacement per stroke:	0.16 gal (0,6 l) Santoprene® 0.14 gal (0,53 l) PTFE
Max. Particle Size:	1/8" (3,2 mm)



V6661 Performance



ARO* to Valisi Part Number Conversion

ARO* Part No.	Valisi Part No.	Discharge Type
666100-344-C	V666100-344-C	FNPT
666100-3EB-C	V666100-3EB-C	FNPT
666120-344-C	V666120-344-C	FBSP
666120-3EB-C	V666120-3EB-C	FBSP

Features

- 1 in FNPT or FBSP suction/discharge
- 1/4 in NPT air inlet
- Aluminum construction
- Santoprene® or PTFE balls and diaphragms
- Weight 19.4 lb (8,8 kg)

Santoprene® is a registered trademark of ExxoMobile Chemical Co.



Excellence In Fluid Handling



Valisi Diaphragm pumps
a brand of Asco Pompe

Via Silvio Pellico, 6/8 - 20089 Rozzano (MI) - ITALY
Phone: +39 02 89257.1 - Fax: +39 02 89257.201
www.ascopompe.com - www.valisipumps.com
asco@ascopompe.com



A brand of Asco Pompe

Diaphragm Pumps

STEPPING UP WITH US

Part Number Model Codes

V666100-3EB-C, V666100-344-C, V666120-3EB-C, V666120-344-C

Model	(Air) Motor Body	Fluid Cap & Manifold	Seat Material	Ball Material	Diaphragm Material	
V6661	0	0	3	E	B	C
V6661	0	0	3	4	4	C
V6661	2	0	3	E	B	C
V6661	2	0	3	4	4	C
	(0-Aluminum/FNPT)	(0-Aluminum)	(3-Polypropylene)	(E-Santoprene)	(B-Santoprene)	
	(2-Aluminum/FBSP)			(4-PTFE)	(4-PTFE/Santoprene)	

Valisi Replacement Parts

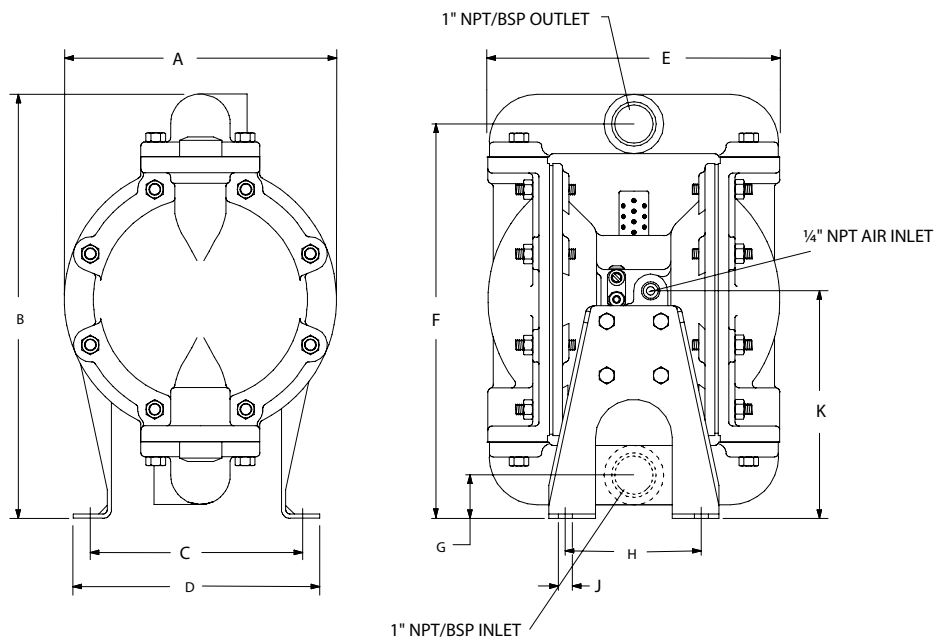
ARO* Part No.	Valisi Part No.	Description
637119-EB-C	V637119-EB-C	Wet End Kit, Santoprene™
637119-44-C	V637119-44-C	Wet End Kit, PTFE
637118-C	V637118-C	Air End Kit

Temperature Range for Materials

Material	Maximum	Minimum
Polypropylene	175°F (79°C)	35°F (2°C)
Santoprene™	225°F (107°C)	-40°F (-40°C)
PTFE	225°F (107°C)	40°F (4°C)

V666100 Dimensions

A	8.00" (203mm)
B	12.50" (318 mm)
C	6.25" (159 mm)
D	7.31" (186 mm)
E	8.56" (217 mm)
F	11.56" (294 mm)
G	1.25" (32 mm)
H	4.00" (102 mm)
J	0.41" (10 mm)
K	6.50" (165 mm)



Excellence In Fluid Handling



Valisi Diaphragm pumps
a brand of Asco Pompe

Via Silvio Pellico, 6/8 - 20089 Rozzano (MI) - ITALY
Phone: +39 02 89257.1 - Fax: +39 02 89257.201
www.ascopompe.com - www.valisipumps.com
asco@ascopompe.com

Model V5CA Metal

AIR OPERATED DOUBLE DIAPHRAGM PUMPS



A brand of Asco Pompe

Diaphragm Pumps

STEPPING UP WITH US

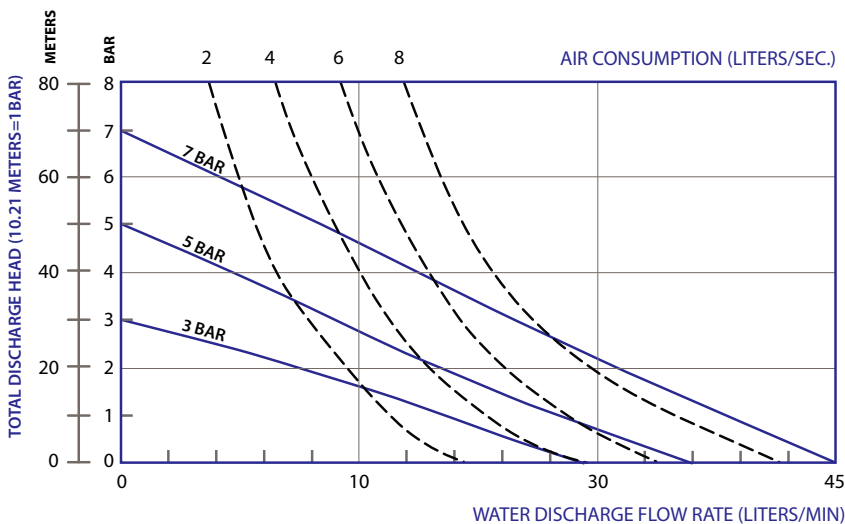
Specifications

Suction & Discharge Size:	1/2" x 1/2"
Standard Porting Location:	Center/lateral
Connection Types:	FBSPT
Air Inlet & Air Exhaust Size:	1/4" FNPT x 3/8" FNPT

Capabilities

Max. Flow Rate:	45 lpm
Max. Air Supply Pressure:	6,9 bar
Displacement Per Stroke:	0,14 lit
Min. Air Inlet Pressure:	0,9 bar
Max. Particle Size:	2,5 mm
Sound Pressure:	75 dB(A)
Operating temperature:	Determined by elastomers

V5CA Performance



Note: Full stroke diaphragm allows performance to be equal for all elastomers.



Typical Applications

- Acids & Bases
- Plating Solutions
- Wastewater
- Paints, Inks, Solvents
- Ceramic Slip and Glaze
- Lubricants and Oils

Typical Industries

- Mining
- Paints and Coatings
- Ceramics
- Pulp and Paper
- Electroplating & Anodizing
- Wastewater
- Marine
- Chemical Manufacturing & Distribution
- OEM's



Excellence In Fluid Handling



Valisi Diaphragm pumps
a brand of Asco Pompe

Via Silvio Pellico, 6/8 - 20089 Rozzano (MI) - ITALY
Phone: +39 02 89257.1 - Fax: +39 02 89257.201
www.ascopompe.com - www.valisipumps.com
asco@ascopompe.com



A brand of Asco Pompe

Diaphragm Pumps

STEPPING UP WITH US

Construction

Wetted Materials:	Aluminum
Diaphragm Materials:	Santoprene™, Buna, PTFE
Air Valve:	Plastic with graphite
Ball Materials:	Santoprene™, Buna, PTFE
Seat Materials:	St.Steel, Aluminum, UPE, PTFE
O-ring Materials:	Buna, EPDM, PTFE

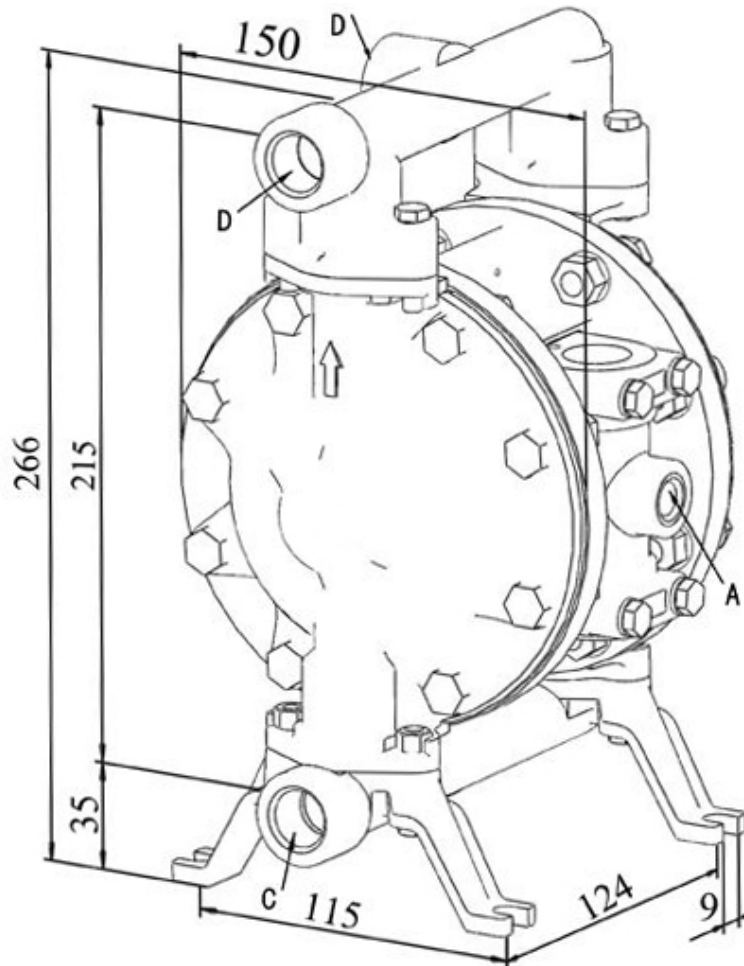
Santoprene™ is a registered tradename of Exxon Mobil Corp.

Dimensions

Maximum Height:	266 mm
Maximum Width:	188 mm
Maximum Depth:	150 mm

Weight

Aluminum:	3,60 kg
-----------	---------



Excellence In Fluid Handling



Valisi Diaphragm pumps
a brand of Asco Pompe

Via Silvio Pellico, 6/8 - 20089 Rozzano (MI) - ITALY
Phone: +39 02 89257.1 - Fax: +39 02 89257.201
www.ascopompe.com - www.valisipumps.com
asco@ascopompe.com

Model V5CS Metal

AIR OPERATED DOUBLE DIAPHRAGM PUMPS



A brand of Asco Pompe
Diaphragm Pumps

STEPPING UP WITH US

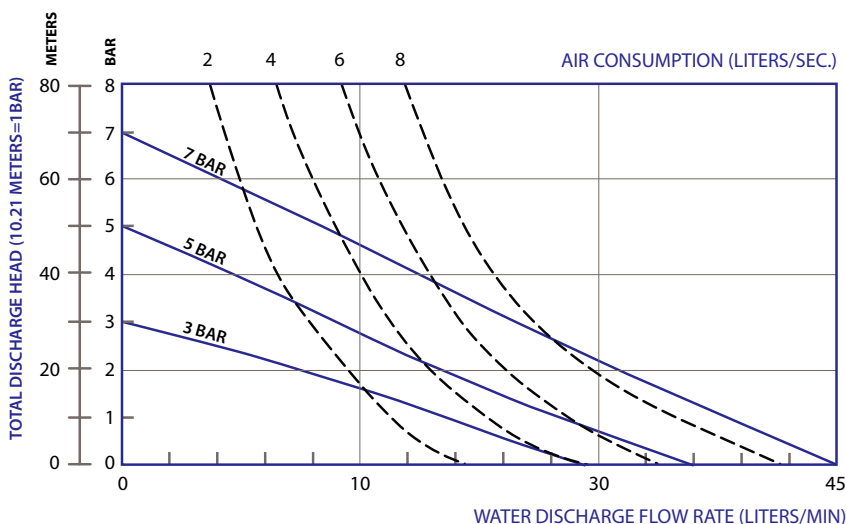
Specifications

Suction & Discharge Size:	1/2" x 1/2"
Standard Porting Location:	Center
Connection Types:	FBSPT
Air Inlet & Air Exhaust Size:	1/4" FNPT x 3/8" FNPT

Capabilities

Max. Flow Rate:	45 lpm
Max. Air Supply Pressure:	6,9 bar
Displacement Per Stroke:	0,14 lit
Min. Air Inlet Pressure:	0,9 bar
Max. Particle Size:	2,5 mm
Sound Pressure:	75 dB(A)
Operating temperature:	Determined by elastomers

V5CS Performance



Note: Full stroke diaphragm allows performance to be equal for all elastomers.



Typical Applications

- Acids & Bases
- Plating Solutions
- Wastewater
- Paints, Inks, Solvents
- Ceramic Slip and Glaze
- Lubricants and Oils

Typical Industries

- Mining
- Paints and Coatings
- Ceramics
- Pulp and Paper
- Electroplating & Anodizing
- Wastewater
- Marine
- Chemical Manufacturing & Distribution
- OEM's



Excellence In Fluid Handling



Valisi Diaphragm pumps
a brand of Asco Pompe

Via Silvio Pellico, 6/8 - 20089 Rozzano (MI) - ITALY
Phone: +39 02 89257.1 - Fax: +39 02 89257.201
www.ascopompe.com - www.valisipumps.com
asco@ascopompe.com



VALISI

STEPPING UP WITH US

A brand of Asco Pompe

Diaphragm Pumps

Construction

Wetted Materials:	AISI 316
Diaphragm Materials:	Santoprene™, PTFE
Air Valve:	Plastic with graphite
Ball Materials:	Santoprene™, PTFE
Seat Materials:	St. Steel
O-ring Materials:	Buna, PTFE

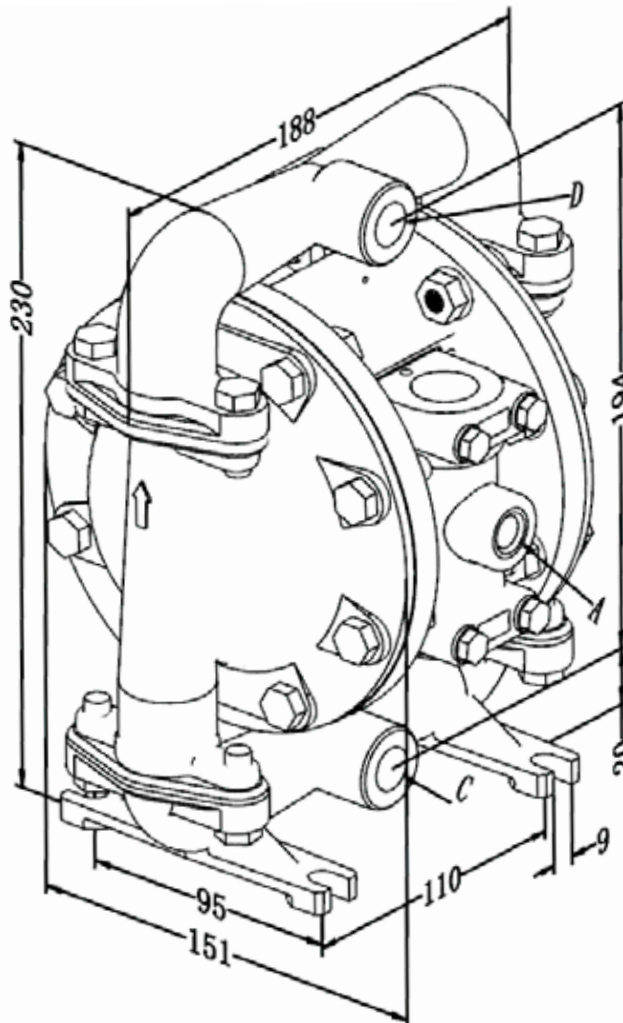
Santoprene™ is a registered tradename of Exxon Mobil Corp.

Dimensions

Maximum Height:	230 mm
Maximum Width:	188 mm
Maximum Depth:	151 mm

Weight

Stainless Steel:	5,5 kg
------------------	--------



Excellence In Fluid Handling



Valisi Diaphragm pumps
a brand of Asco Pompe

Via Silvio Pellico, 6/8 - 20089 Rozzano (MI) - ITALY
Phone: +39 02 89257.1 - Fax: +39 02 89257.201
www.ascopompe.com - www.valisipumps.com
asco@ascopompe.com

Model V10CA Metal

AIR OPERATED DOUBLE DIAPHRAGM PUMPS



A brand of Asco Pompe
Diaphragm Pumps

STEPPING UP WITH US

Specifications

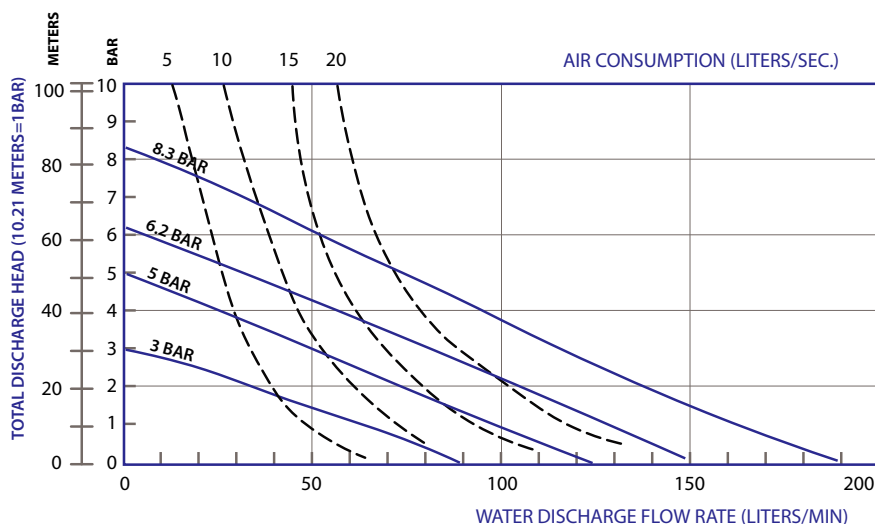
Suction & Discharge Size:	1" x 1"
Standard Porting Location:	Center/lateral
Connection Types:	FBSPT
Air Inlet & Air Exhaust Size:	1/4" FNPT x 3/8" FNPT

Capabilities

Max. Flow Rate:	192 lpm
Max. Air Supply Pressure:	8,3 bar
Displacement Per Stroke:	0,87 lit
Min. Air Inlet Pressure:	0,9 bar
Max. Particle Size:	3 mm
Sound Pressure:	75 dB(A)
Operating temperature:	Determined by elastomers



V10CA Performance



Note: Full stroke diaphragm allows performance to be equal for all elastomers.

Typical Applications

- Acids & Bases
- Plating Solutions
- Wastewater
- Paints, Inks, Solvents
- Ceramic Slip and Glaze
- Lubricants and Oils

Typical Industries

- Mining
- Paints and Coatings
- Ceramics
- Pulp and Paper
- Electroplating & Anodizing
- Wastewater
- Marine
- Chemical Manufacturing & Distribution
- OEM's



Excellence In Fluid Handling



Valisi Diaphragm pumps
a brand of Asco Pompe

Via Silvio Pellico, 6/8 - 20089 Rozzano (MI) - ITALY
Phone: +39 02 89257.1 - Fax: +39 02 89257.201
www.ascopompe.com - www.valisipumps.com
asco@ascopompe.com



A brand of Asco Pompe

Diaphragm Pumps

STEPPING UP WITH US

Construction

Wetted Materials:	Aluminum
Diaphragm Materials:	Santoprene™, Buna, PTFE
Air Valve:	Aluminum
Ball Materials:	Santoprene™, Buna, PTFE
Seat Materials:	St.Steel, Aluminum, UPE, PTFE
O-ring Materials:	Buna, EPDM, PTFE

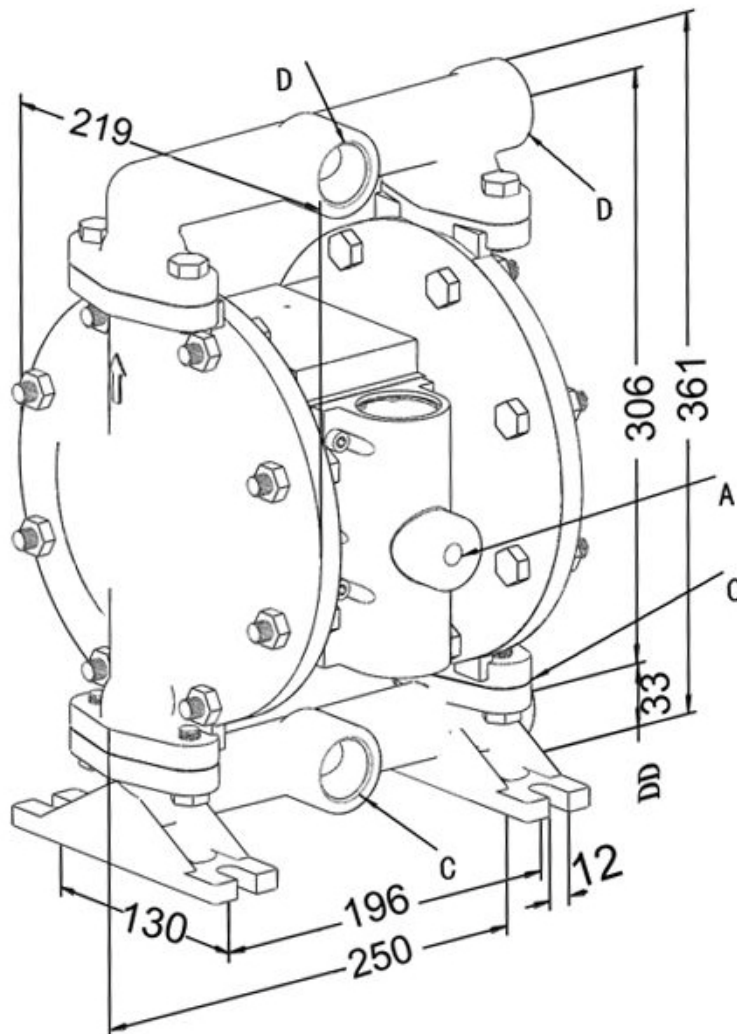
Santoprene™ is a registered tradename of Exxon Mobil Corp.

Dimensions

Maximum Height:	361 mm
Maximum Width:	250 mm
Maximum Depth:	219 mm

Weight

Aluminum:	9,50 kg
-----------	---------



Excellence In Fluid Handling



Valisi Diaphragm pumps
a brand of Asco Pompe

Via Silvio Pellico, 6/8 - 20089 Rozzano (MI) - ITALY
Phone: +39 02 89257.1 - Fax: +39 02 89257.201
www.ascopompe.com - www.valisipumps.com
asco@ascopompe.com

Model V10CS Metal

AIR OPERATED DOUBLE DIAPHRAGM PUMPS



A brand of Asco Pompe
Diaphragm Pumps

STEPPING UP WITH US

Specifications

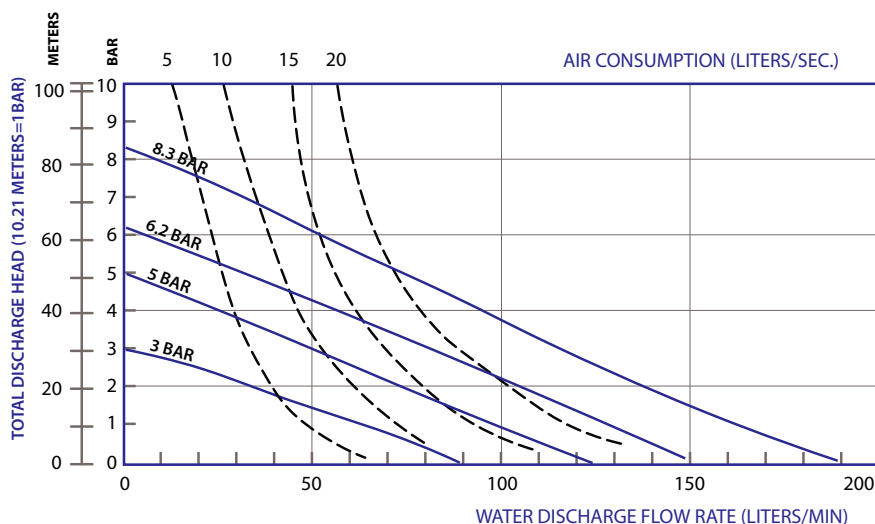
Suction & Discharge Size:	1" x 1"
Standard Porting Location:	Center
Connection Types:	FBSPT
Air Inlet & Air Exhaust Size:	1/4" NPT x 3/8" NPT

Capabilities

Max. Flow Rate:	192 lpm
Max. Air Supply Pressure:	8,3 bar
Displacement Per Stroke:	0,87 lit
Min. Air Inlet Pressure:	0,9 bar
Max. Particle Size:	3,0 mm
Sound Pressure:	75 dB(A)
Operating temperature:	Determined by elastomers



V10CS Performance



Note: Full stroke diaphragm allows performance to be equal for all elastomers.

Typical Applications

- Acids & Bases
- Plating Solutions
- Paints, Inks, Solvents
- Ceramic Glaze
- Lubricants and Oils

Typical Industries

- Mining
- Paints and Coatings
- Ceramics
- Pulp and Paper
- Electroplating & Anodizing
- Marine
- Chemical Manufacturing & Distribution
- OEM's



Excellence In Fluid Handling



Valisi Diaphragm pumps
a brand of Asco Pompe

Via Silvio Pellico, 6/8 - 20089 Rozzano (MI) - ITALY
Phone: +39 02 89257.1 - Fax: +39 02 89257.201
www.ascopompe.com - www.valisipumps.com
asco@ascopompe.com



A brand of Asco Pompe

Diaphragm Pumps

STEPPING UP WITH US

Construction

Wetted Materials:	AISI 316
Diaphragm Materials:	Santoprene™, Buna, PTFE
Air Valve:	Aluminum
Ball Materials:	Santoprene™, Buna, PTFE
Seat Materials:	St. Steel, Aluminum, UPE, PTFE
O-ring Materials:	Buna, EPDM, PTFE

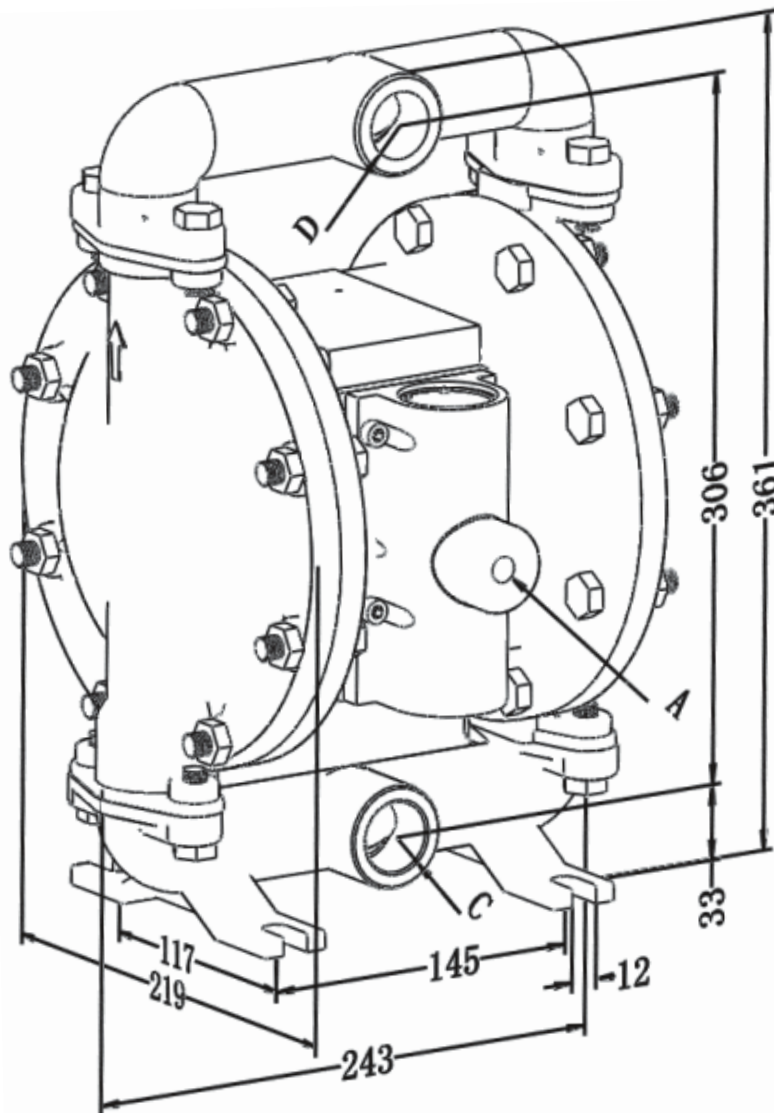
Santoprene™ is a registered tradename of Exxon Mobil Corp.

Dimensions

Maximum Height:	361 mm
Maximum Width:	243 mm
Maximum Depth:	219 mm

Weight

St. Steel:	15 kg
------------	-------



Excellence In Fluid Handling



Valisi Diaphragm pumps
a brand of Asco Pompe

Via Silvio Pellico, 6/8 - 20089 Rozzano (MI) - ITALY
Phone: +39 02 89257.1 - Fax: +39 02 89257.201
www.ascopompe.com - www.valisipumps.com
asco@ascopompe.com

Model V10TI Metal

AIR OPERATED DOUBLE DIAPHRAGM PUMPS



A brand of Asco Pompe
Diaphragm Pumps

STEPPING UP WITH US

Specifications

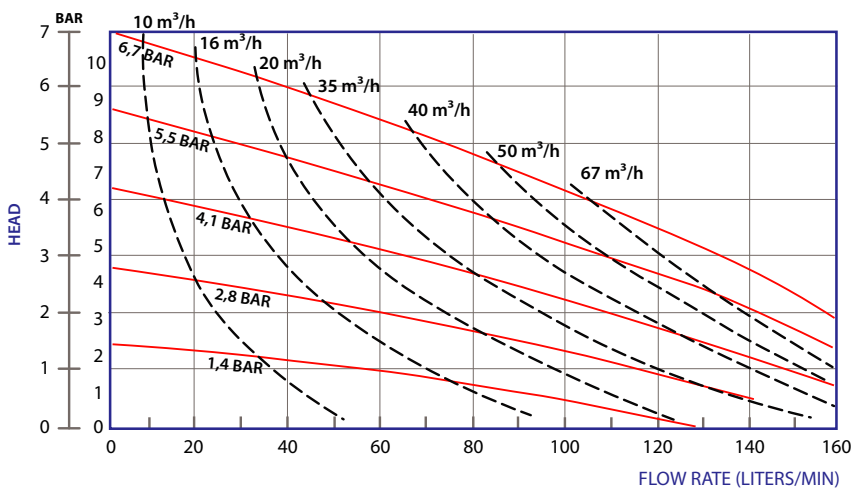
Suction & Discharge Size:	1" x 1"
Standard Porting Location:	Center
Connection Types:	FBSPT
Air Inlet & Air Exhaust Size:	½" FNPT x 1" FNPT

Capabilities

Max. Flow Rate:	160 lpm
Max. Air Supply Pressure:	8,3 bar
Displacement Per Stroke:	0,82 lit
Min. Air Inlet Pressure:	0,9 bar
Max. Particle Size:	4,0 mm
Sound Pressure:	82 dB(A)
Operating temperature:	Determined by elastomers



V10TI Performance



Typical Applications

- Acids & Bases
- Plating Solutions
- Wastewater
- Paints, Inks, Solvents
- Ceramic Slip and Glaze
- Lubricants and Oils

Typical Industries

- Mining
- Paints and Coatings
- Ceramics
- Pulp and Paper
- Electroplating & Anodizing
- Wastewater
- Marine
- Chemical Manufacturing & Distribution
- OEM's



Excellence In Fluid Handling



Valisi Diaphragm pumps
a brand of Asco Pompe

Via Silvio Pellico, 6/8 - 20089 Rozzano (MI) - ITALY
Phone: +39 02 89257.1 - Fax: +39 02 89257.201
www.ascopompe.com - www.valisipumps.com
asco@ascopompe.com



A brand of Asco Pompe

Diaphragm Pumps

STEPPING UP WITH US

Construction

Wetted Materials:	Cast Iron
Diaphragm Materials:	Santoprene™, Buna, PTFE
Air Valve:	Aluminum
Ball Materials:	Santoprene™, Buna, PTFE
Seat Materials:	Santoprene™, PTFE
O-ring Materials:	Santoprene™, PTFE

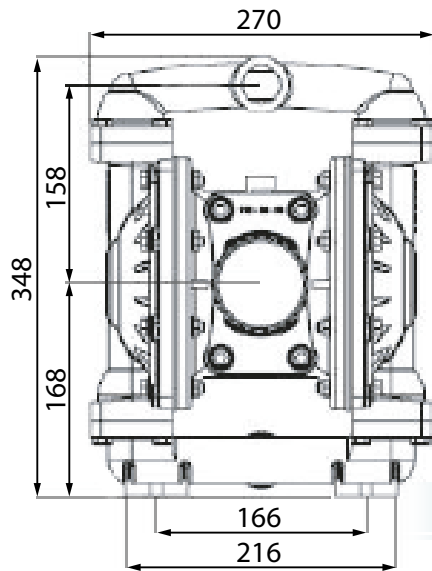
Santoprene™ is a registered tradename of Exxon Mobil Corp.

Dimensions

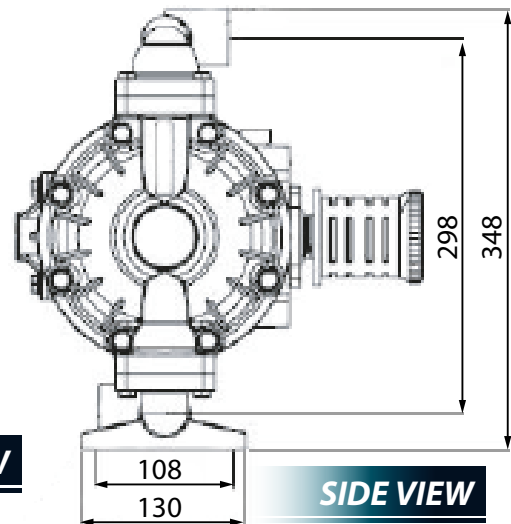
Maximum Height:	348 mm
Maximum Width:	270 mm
Maximum Depth:	321 mm

Weight

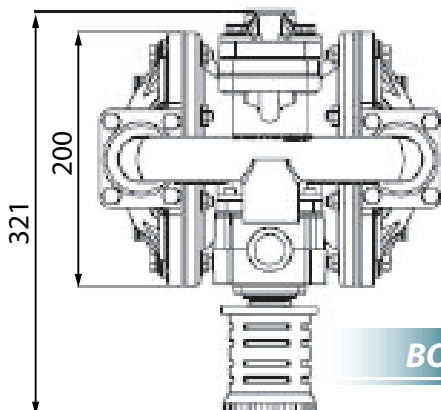
Cast Iron	18 kg
-----------	-------



FRONT VIEW



SIDE VIEW



BOTTOM VIEW



Excellence In Fluid Handling



Valisi Diaphragm pumps
a brand of Asco Pompe

Via Silvio Pellico, 6/8 - 20089 Rozzano (MI) - ITALY
Phone: +39 02 89257.1 - Fax: +39 02 89257.201
www.ascopompe.com - www.valisipumps.com
asco@ascopompe.com

Model V15CA Metal

AIR OPERATED DOUBLE DIAPHRAGM PUMPS



A brand of Asco Pompe
Diaphragm Pumps

STEPPING UP WITH US

Specifications

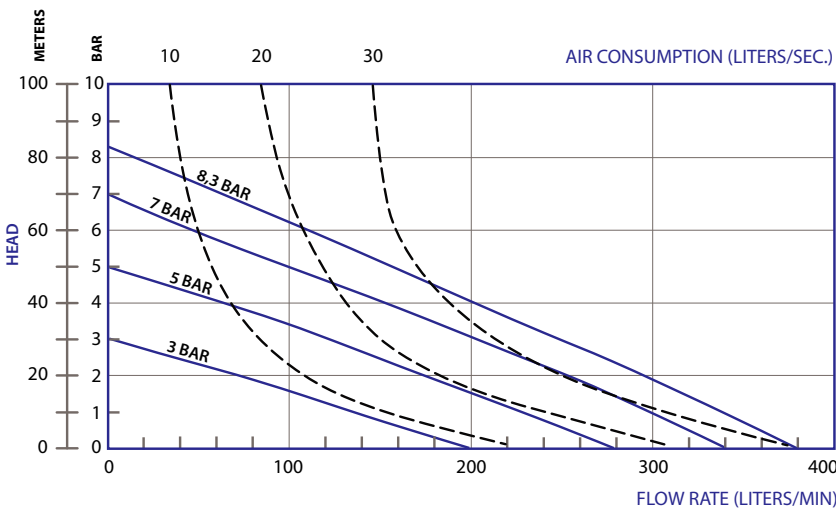
Suction & Discharge Size:	1.5" x 1.5"
Standard Porting Location:	Center/end lateral
Connection Types:	FBSPT
Air Inlet & Air Exhaust Size:	1/2" FNPT x 3/4" FNPT

Capabilities

Max. Flow Rate:	378 lpm
Max. Air Supply Pressure:	8,3 bar
Displacement Per Stroke:	2,83 lit
Min. Air Inlet Pressure:	0,9 bar
Max. Particle Size:	6,0 mm
Sound Pressure:	77 dB(A)
Operating temperature:	Determined by elastomers



V15CA Performance



Typical Applications

- Acids & Bases
- Plating Solutions
- Wastewater
- Paints, Inks, Solvents
- Ceramic Slip and Glaze
- Lubricants and Oils

Typical Industries

- Mining
- Paints and Coatings
- Ceramics
- Pulp and Paper
- Electroplating & Anodizing
- Wastewater
- Marine
- Chemical Manufacturing & Distribution
- OEM's



Excellence In Fluid Handling



Valisi Diaphragm pumps
a brand of Asco Pompe

Via Silvio Pellico, 6/8 - 20089 Rozzano (MI) - ITALY
Phone: +39 02 89257.1 - Fax: +39 02 89257.201
www.ascopompe.com - www.valisipumps.com
asco@ascopompe.com



A brand of Asco Pompe

Diaphragm Pumps

STEPPING UP WITH US

Construction

Wetted Materials:	Aluminum
Diaphragm Materials:	Santoprene™, Buna, PTFE
Air Valve:	Aluminum
Ball Materials:	Santoprene™, Buna, PTFE
Seat Materials:	Santoprene™, Aluminum, St. Steel
O-ring Materials:	Buna, EPDM, PTFE

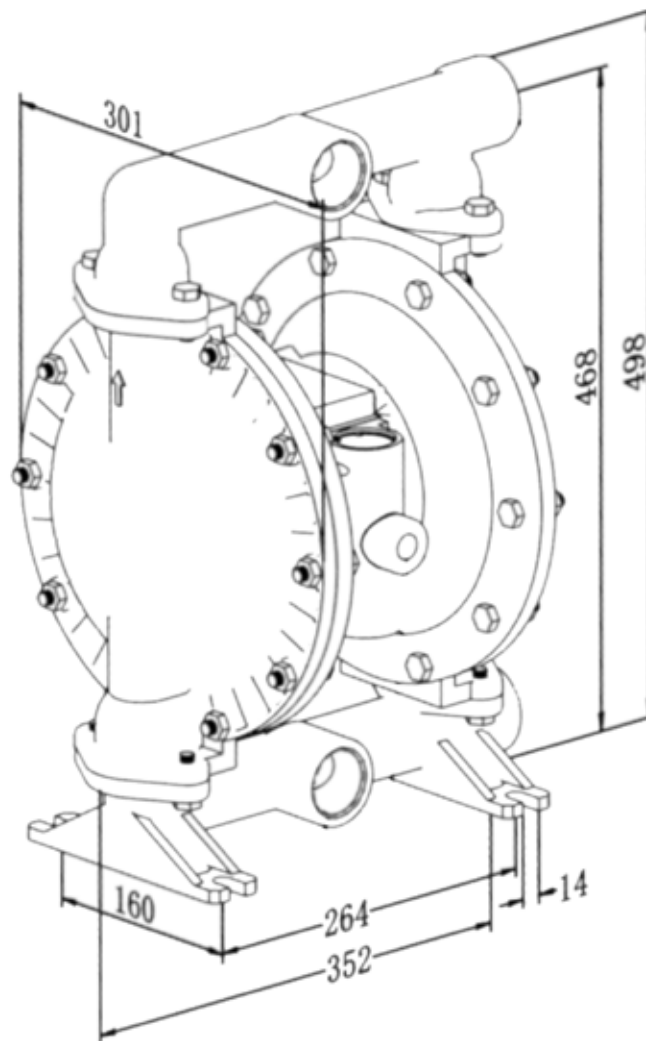
Santoprene™ is a registered tradename of Exxon Mobil Corp.

Dimensions

Maximum Height:	498 mm
Maximum Width:	352 mm
Maximum Depth:	301 mm

Weight

Aluminum:	18 kg
-----------	-------



Excellence In Fluid Handling



Valisi Diaphragm pumps
a brand of Asco Pompe

Via Silvio Pellico, 6/8 - 20089 Rozzano (MI) - ITALY
Phone: +39 02 89257.1 - Fax: +39 02 89257.201
www.ascopompe.com - www.valisipumps.com
asco@ascopompe.com

Model V15CS Metal

AIR OPERATED DOUBLE DIAPHRAGM PUMPS



A brand of Asco Pompe

Diaphragm Pumps

STEPPING UP WITH US

Specifications

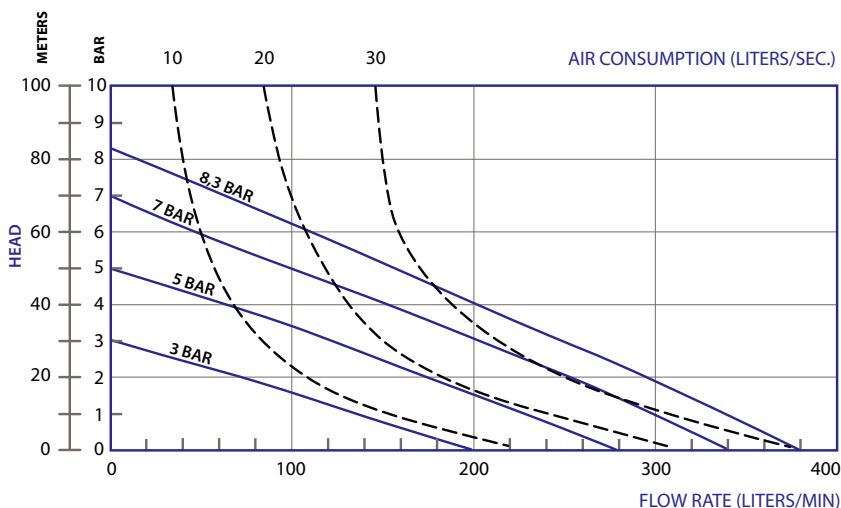
Suction & Discharge Size:	1,5" x 1,5"
Standard Porting Location:	Center
Connection Types:	FBSPT
Air Inlet & Air Exhaust Size:	½" FNPT x ¾" FNPT

Capabilities

Max. Flow Rate:	378 lpm
Max. Air Supply Pressure:	8,3 bar
Displacement Per Stroke:	2,83 lit
Min. Air Inlet Pressure:	0,9 bar
Max. Particle Size:	6,0 mm
Sound Pressure:	77 dB(A)
Operating temperature:	Determined by elastomers



V15CS Performance



Note: Full stroke diaphragm allows performance to be equal for all elastomers.

Typical Applications

- Acids & Bases
- Plating Solutions
- Paints, Inks, Solvents
- Ceramic Glaze
- Lubricants and Oils

Typical Industries

- Mining
- Paints and Coatings
- Ceramics
- Pulp and Paper
- Electroplating & Anodizing
- Marine
- Chemical Manufacturing & Distribution
- OEM's



Excellence In Fluid Handling



Valisi Diaphragm pumps
a brand of Asco Pompe

Via Silvio Pellico, 6/8 - 20089 Rozzano (MI) - ITALY
Phone: +39 02 89257.1 - Fax: +39 02 89257.201
www.ascopompe.com - www.valisipumps.com
asco@ascopompe.com



A brand of Asco Pompe

Diaphragm Pumps

STEPPING UP WITH US

Construction

Wetted Materials:	AISI 316
Diaphragm Materials:	Santoprene™, Buna, PTFE
Air Valve:	Aluminum
Ball Materials:	Santoprene™, Buna, PTFE
Seat Materials:	St. Steel, Aluminum, PTFE
O-ring Materials:	Buna, EPDM, PTFE

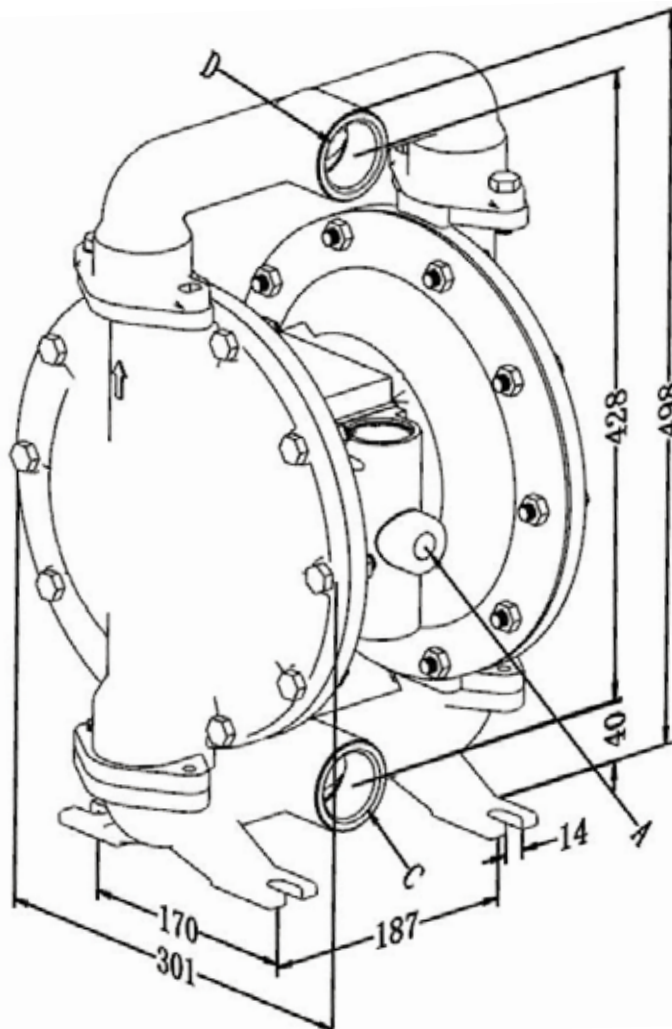
Santoprene™ is a registered tradename of Exxon Mobil Corp.

Dimensions

Maximum Height:	498 mm
Maximum Width:	352 mm
Maximum Depth:	301 mm

Weight

St. Steel:	30 kg
------------	-------



Excellence In Fluid Handling



Valisi Diaphragm pumps
a brand of Asco Pompe

Via Silvio Pellico, 6/8 - 20089 Rozzano (MI) - ITALY
Phone: +39 02 89257.1 - Fax: +39 02 89257.201
www.ascopompe.com - www.valisipumps.com
asco@ascopompe.com

Model V15CI Metal

AIR OPERATED DOUBLE DIAPHRAGM PUMPS



A brand of Asco Pompe
Diaphragm Pumps

STEPPING UP WITH US

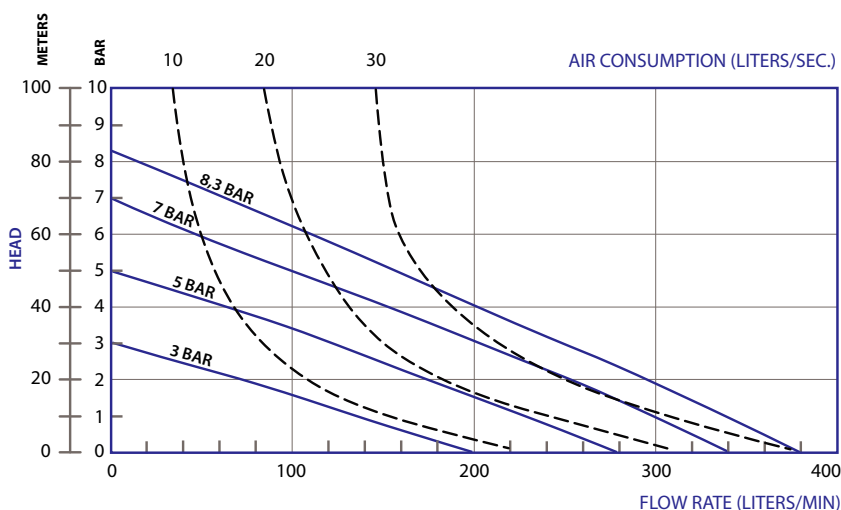
Specifications

Suction & Discharge Size:	1.5" x 1.5"
Standard Porting Location:	Center
Connection Types:	FBSPT
Air Inlet & Air Exhaust Size:	1/2" FNPT x 3/4" FNPT

Capabilities

Max. Flow Rate:	378 lpm
Max. Air Supply Pressure:	8,3 bar
Displacement Per Stroke:	2,83 lit
Min. Air Inlet Pressure:	0,9 bar
Max. Particle Size:	6,0 mm
Sound Pressure:	75 dB(A)
Operating temperature:	Determined by elastomers

V15CI Performance



Typical Applications

- Acids & Bases
- Plating Solutions
- Wastewater
- Paints, Inks, Solvents
- Ceramic Slip and Glaze
- Lubricants and Oils

Typical Industries

- Mining
- Paints and Coatings
- Ceramics
- Pulp and Paper
- Electroplating & Anodizing
- Wastewater
- Marine
- Chemical Manufacturing & Distribution
- OEM's



Excellence In Fluid Handling



Valisi Diaphragm pumps
a brand of Asco Pompe

Via Silvio Pellico, 6/8 - 20089 Rozzano (MI) - ITALY
Phone: +39 02 89257.1 - Fax: +39 02 89257.201
www.ascopompe.com - www.valisipumps.com
asco@ascopompe.com



A brand of Asco Pompe

Diaphragm Pumps

STEPPING UP WITH US

Construction

Wetted Materials:	Cast Iron
Diaphragm Materials:	Santoprene™, Buna, PTFE
Air Valve:	Aluminum
Ball Materials:	Santoprene™, Buna, PTFE
Seat Materials:	Santoprene™, Aluminum, St. Steel
O-ring Materials:	Buna, EPDM, PTFE

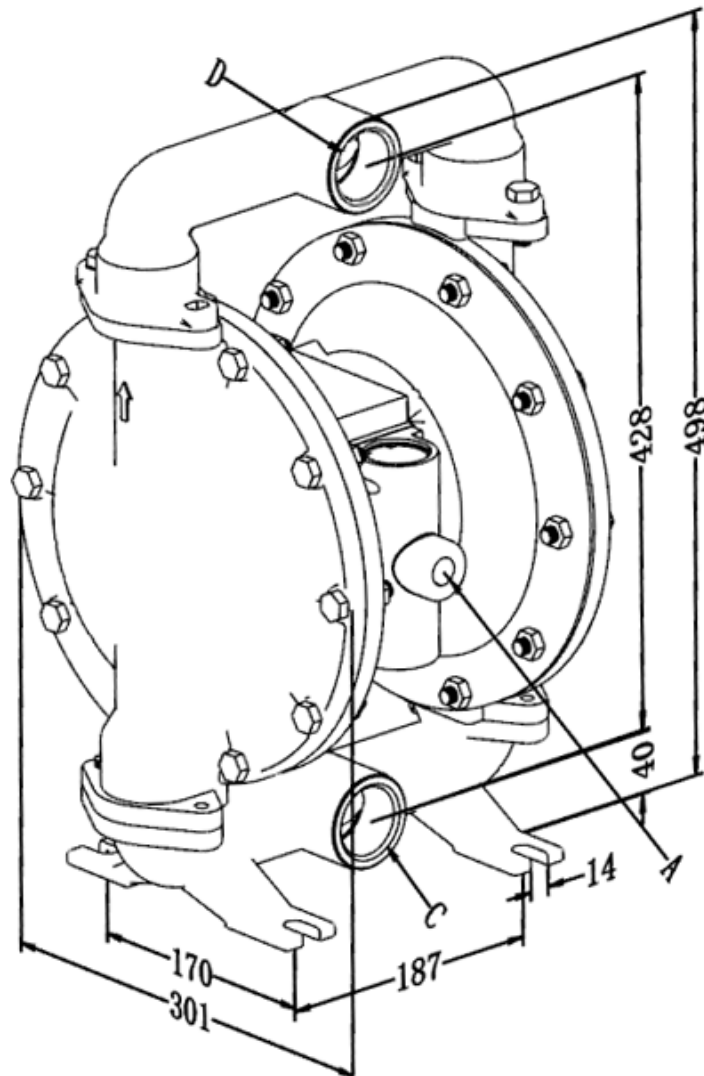
Santoprene™ is a registered tradename of Exxon Mobil Corp.

Dimensions

Maximum Height:	498 mm
Maximum Width:	352 mm
Maximum Depth:	301 mm

Weight

Cast Iron	30 kg
-----------	-------



Excellence In Fluid Handling



Valisi Diaphragm pumps
a brand of Asco Pompe

Via Silvio Pellico, 6/8 - 20089 Rozzano (MI) - ITALY
Phone: +39 02 89257.1 - Fax: +39 02 89257.201
www.ascopompe.com - www.valisipumps.com
asco@ascopompe.com

Model V20CA Metal

AIR OPERATED DOUBLE DIAPHRAGM PUMPS



A brand of Asco Pompe

Diaphragm Pumps

STEPPING UP WITH US

Specifications

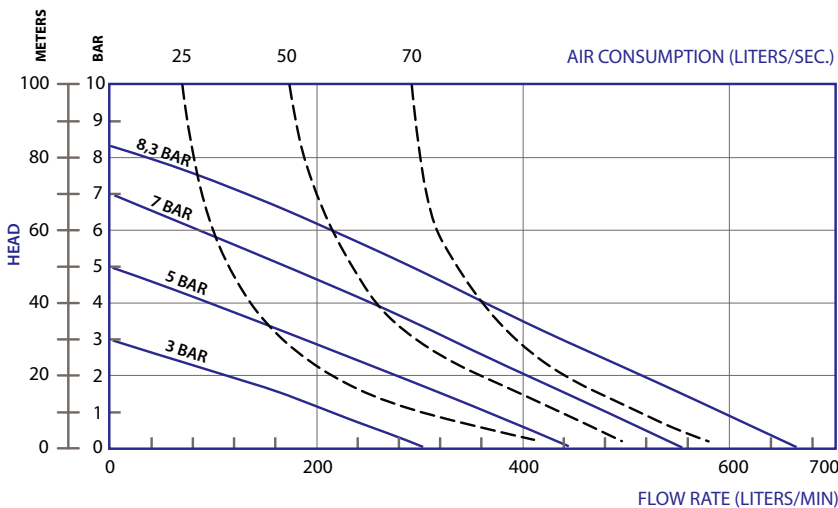
Suction & Discharge Size:	2" x 2"
Standard Porting Location:	Center
Connection Types:	FBSPT
Air Inlet & Air Exhaust Size:	3/4" FNPT x 3/4" FNPT

Capabilities

Max. Flow Rate:	667 lpm
Max. Air Supply Pressure:	8,3 bar
Displacement Per Stroke:	3,78 lit
Min. Air Inlet Pressure:	0,9 bar
Max. Particle Size:	7,0 mm
Sound Pressure:	75 dB(A)
Operating temperature:	Determined by elastomers



V20CA Performance



Typical Applications

- Acids & Bases
- Plating Solutions
- Wastewater
- Paints, Inks, Solvents
- Ceramic Slip and Glaze
- Lubricants and Oils

Typical Industries

- Mining
- Paints and Coatings
- Ceramics
- Pulp and Paper
- Electroplating & Anodizing
- Wastewater
- Marine
- Chemical Manufacturing & Distribution
- OEM's



Excellence In Fluid Handling



Valisi Diaphragm pumps
a brand of Asco Pompe

Via Silvio Pellico, 6/8 - 20089 Rozzano (MI) - ITALY
Phone: +39 02 89257.1 - Fax: +39 02 89257.201
www.ascopompe.com - www.valisipumps.com
asco@ascopompe.com



A brand of Asco Pompe

Diaphragm Pumps

STEPPING UP WITH US

Construction

Wetted Materials:	Aluminum
Diaphragm Materials:	Santoprene™, Buna, Hytrel, PTFE
Air Valve:	Aluminum
Ball Materials:	Santoprene™, Buna, Hytrel, PTFE
Seat Materials:	Santoprene™, C.Steel, Aluminum
O-ring Materials:	Buna, EPDM, PTFE

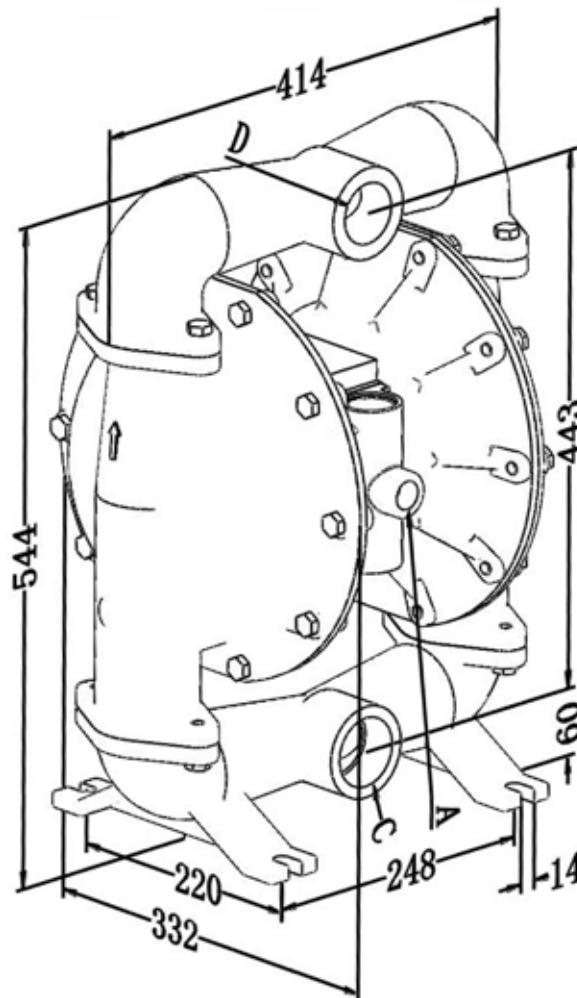
Santoprene™ is a registered tradename of Exxon Mobil Corp.

Dimensions

Maximum Height:	544 mm
Maximum Width:	414 mm
Maximum Depth:	332 mm

Weight

Aluminum:	25 kg
-----------	-------



Excellence In Fluid Handling



Valisi Diaphragm pumps
a brand of Asco Pompe

Via Silvio Pellico, 6/8 - 20089 Rozzano (MI) - ITALY
Phone: +39 02 89257.1 - Fax: +39 02 89257.201
www.ascopompe.com - www.valisipumps.com
asco@ascopompe.com

Model V20CS Metal

AIR OPERATED DOUBLE DIAPHRAGM PUMPS



A brand of Asco Pompe
Diaphragm Pumps

STEPPING UP WITH US

Specifications

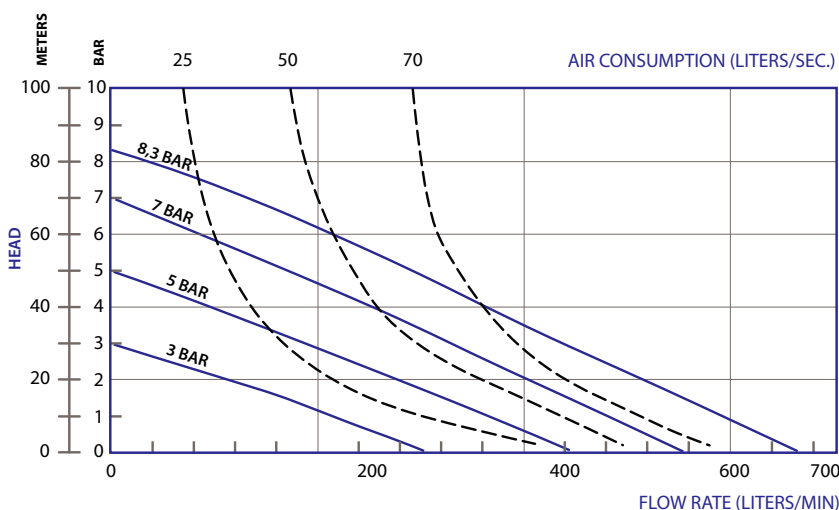
Suction & Discharge Size:	DN 50
Standard Porting Location:	Center
Connection Types:	DIN Flanges
Air Inlet & Air Exhaust Size:	3/4" FNPT x 3/4" FNPT

Capabilities

Max. Flow Rate:	667 lpm
Max. Air Supply Pressure:	8,3 bar
Displacement Per Stroke:	3,78 lit
Min. Air Inlet Pressure:	0,9 bar
Max. Particle Size:	7,0 mm
Sound Pressure:	75 dB(A)
Operating temperature:	Determined by elastomers



V20CS Performance



Typical Applications

- Acids & Bases
- Plating Solutions
- Wastewater
- Paints, Inks, Solvents
- Ceramic Slip and Glaze
- Lubricants and Oils

Typical Industries

- Mining
- Paints and Coatings
- Ceramics
- Pulp and Paper
- Electroplating & Anodizing
- Wastewater
- Marine
- Chemical Manufacturing & Distribution
- OEM's



Excellence In Fluid Handling



Valisi Diaphragm pumps
a brand of Asco Pompe

Via Silvio Pellico, 6/8 - 20089 Rozzano (MI) - ITALY
Phone: +39 02 89257.1 - Fax: +39 02 89257.201
www.ascopompe.com - www.valisipumps.com
asco@ascopompe.com



A brand of Asco Pompe

Diaphragm Pumps

STEPPING UP WITH US

Construction

Wetted Materials:	AISI 316
Diaphragm Materials:	Santoprene™, Buna, PTFE
Air Valve:	Aluminum
Ball Materials:	Santoprene™, Buna, PTFE
Seat Materials:	Santoprene™, Aluminum, St. Steel
O-ring Materials:	Buna, EPDM, PTFE

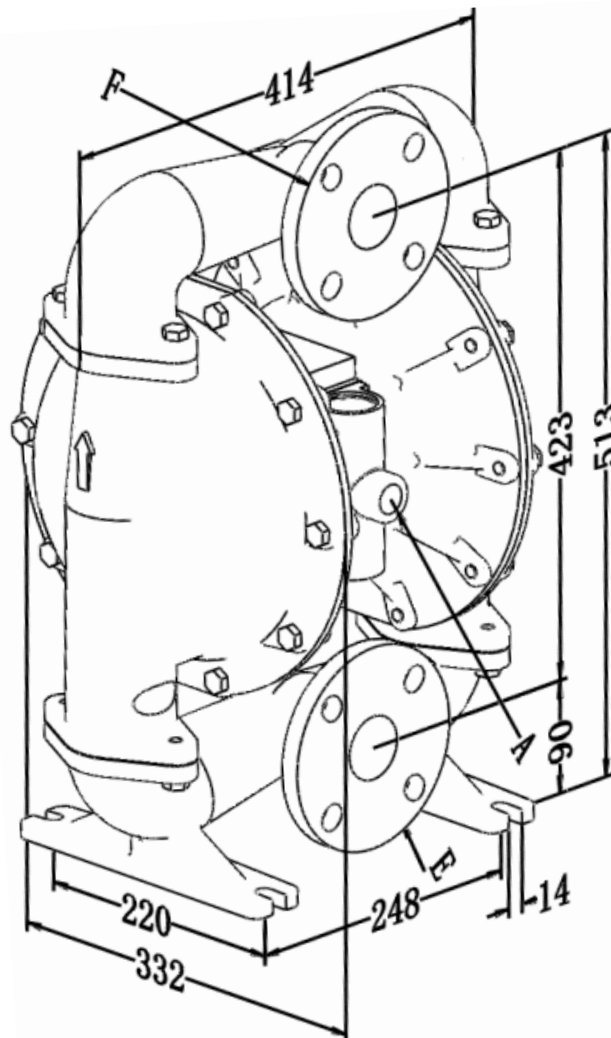
Santoprene™ is a registered tradename of Exxon Mobil Corp.

Dimensions

Maximum Height:	595 mm
Maximum Width:	414 mm
Maximum Depth:	332 mm

Weight

Stainless Steel:	53 kg
------------------	-------



Excellence In Fluid Handling



Valisi Diaphragm pumps
a brand of Asco Pompe

Via Silvio Pellico, 6/8 - 20089 Rozzano (MI) - ITALY
Phone: +39 02 89257.1 - Fax: +39 02 89257.201
www.ascopompe.com - www.valisipumps.com
asco@ascopompe.com

Model V20CI Metal

AIR OPERATED DOUBLE DIAPHRAGM PUMPS



A brand of Asco Pompe

Diaphragm Pumps

STEPPING UP WITH US

Specifications

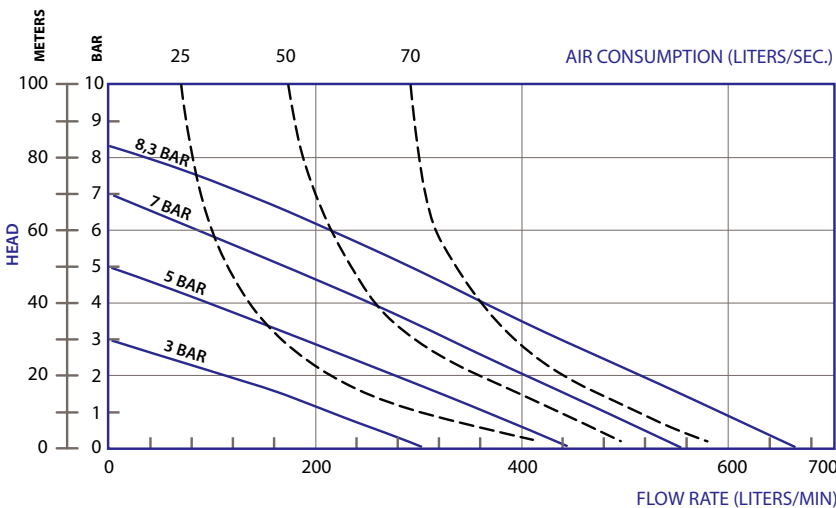
Suction & Discharge Size:	2" x 2"
Standard Porting Location:	Center
Connection Types:	FBSPT
Air Inlet & Air Exhaust Size:	3/4" FNPT x 3/4" FNPT

Capabilities

Max. Flow Rate:	667 lpm
Max. Air Supply Pressure:	8,3 bar
Displacement Per Stroke:	3,78 lit
Min. Air Inlet Pressure:	0,9 bar
Max. Particle Size:	7,0 mm
Sound Pressure:	75 dB(A)
Operating temperature:	Determined by elastomers



V20CI Performance



Typical Applications

- Acids & Bases
- Plating Solutions
- Wastewater
- Paints, Inks, Solvents
- Ceramic Slip and Glaze
- Lubricants and Oils

Typical Industries

- Mining
- Paints and Coatings
- Ceramics
- Pulp and Paper
- Electroplating & Anodizing
- Wastewater
- Marine
- Chemical Manufacturing & Distribution
- OEM's



Excellence In Fluid Handling



Valisi Diaphragm pumps
a brand of Asco Pompe

Via Silvio Pellico, 6/8 - 20089 Rozzano (MI) - ITALY
Phone: +39 02 89257.1 - Fax: +39 02 89257.201
www.ascopompe.com - www.valisipumps.com
asco@ascopompe.com



A brand of Asco Pompe

Diaphragm Pumps

STEPPING UP WITH US

Construction

Wetted Materials:	Cast Iron
Diaphragm Materials:	Santoprene™, Buna, PTFE
Air Valve:	Aluminum
Ball Materials:	Santoprene™, Buna, PTFE
Seat Materials:	Santoprene™, Aluminum, C. Steel
O-ring Materials:	Buna

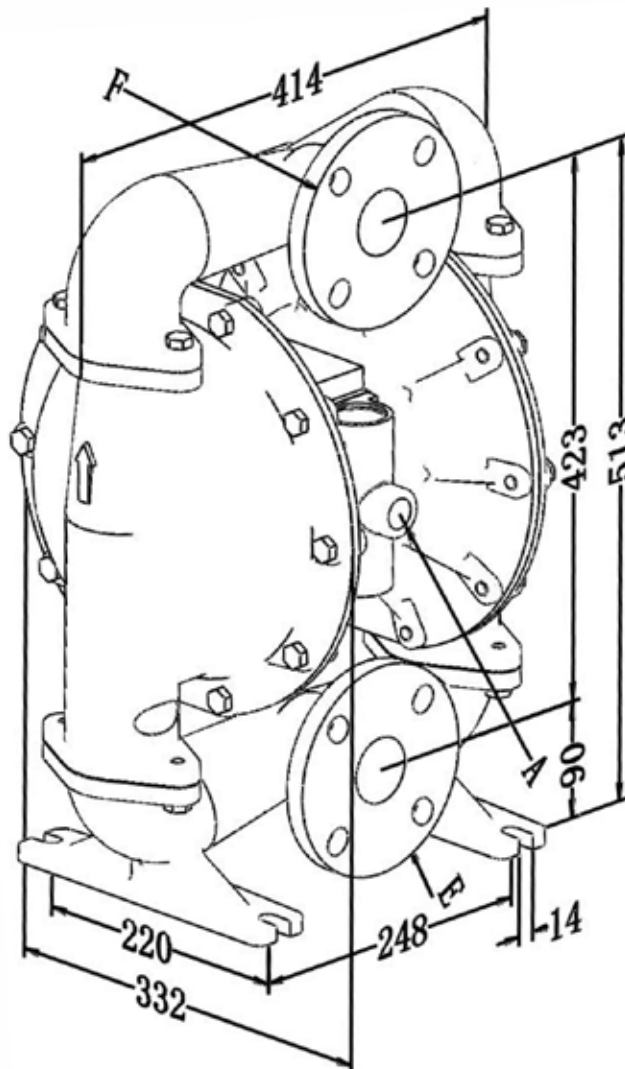
Santoprene™ is a registered tradename of Exxon Mobil Corp.

Dimensions

Maximum Height:	595 mm
Maximum Width:	414 mm
Maximum Depth:	332 mm

Weight

Cast Iron:	48 kg
------------	-------



Excellence In Fluid Handling



Valisi Diaphragm pumps
a brand of Asco Pompe

Via Silvio Pellico, 6/8 - 20089 Rozzano (MI) - ITALY
Phone: +39 02 89257.1 - Fax: +39 02 89257.201
www.ascopompe.com - www.valisipumps.com
asco@ascopompe.com

Model V30CA Metal

AIR OPERATED DOUBLE DIAPHRAGM PUMPS



A brand of Asco Pompe
Diaphragm Pumps

STEPPING UP WITH US

Specifications

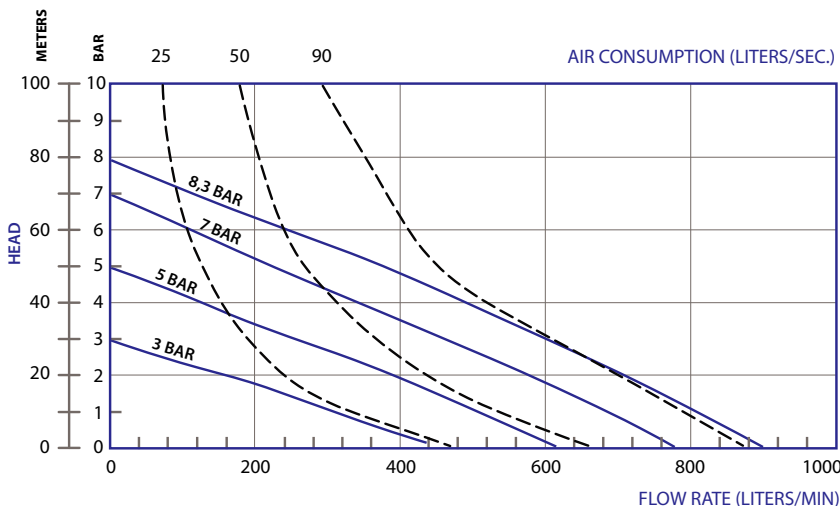
Suction & Discharge Size:	3" x 3"
Standard Porting Location:	Center
Connection Types:	FBSPT
Air Inlet & Air Exhaust Size:	3/4" FNPT x 3/4" FNPT

Capabilities

Max. Flow Rate:	903 lpm
Max. Air Supply Pressure:	8,3 bar
Displacement Per Stroke:	7,67 lit
Min. Air Inlet Pressure:	0,9 bar
Max. Particle Size:	9,0 mm
Sound Pressure:	75 dB(A)
Operating temperature:	Determined by elastomers



V30CA Performance



Typical Applications

- Acids & Bases
- Plating Solutions
- Wastewater
- Paints, Inks, Solvents
- Ceramic Slip and Glaze
- Lubricants and Oils

Typical Industries

- Mining
- Paints and Coatings
- Ceramics
- Pulp and Paper
- Electroplating & Anodizing
- Wastewater
- Marine
- Chemical Manufacturing & Distribution
- OEM's



Excellence In Fluid Handling



Valisi Diaphragm pumps
a brand of Asco Pompe

Via Silvio Pellico, 6/8 - 20089 Rozzano (MI) - ITALY
Phone: +39 02 89257.1 - Fax: +39 02 89257.201
www.ascopompe.com - www.valisipumps.com
asco@ascopompe.com



A brand of Asco Pompe

Diaphragm Pumps

STEPPING UP WITH US

Construction

Wetted Materials:	Aluminum
Diaphragm Materials:	Santoprene™, Buna, Hytrel, PTFE
Air Valve:	Aluminum
Ball Materials:	Santoprene™, Buna, Hytrel, PTFE
Seat Materials:	Santoprene™, C.Steel, Aluminum
O-ring Materials:	Buna, EPDM, PTFE

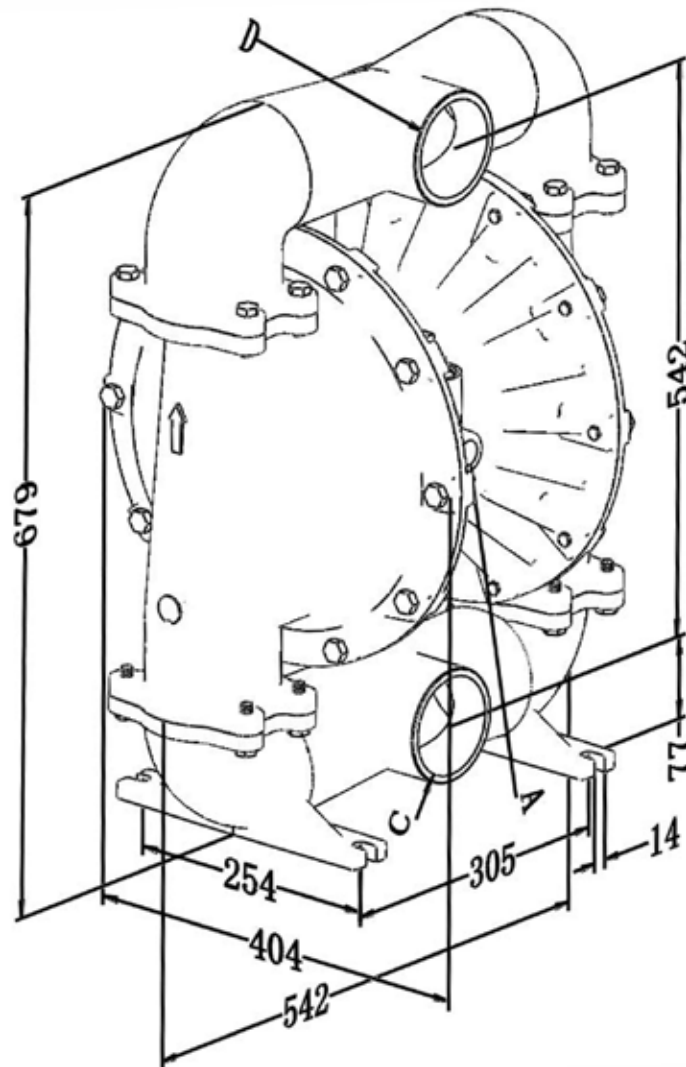
Santoprene™ is a registered tradename of Exxon Mobil Corp.

Dimensions

Maximum Height:	679 mm
Maximum Width:	542 mm
Maximum Depth:	404 mm

Weight

Aluminum:	42 kg
-----------	-------



Excellence In Fluid Handling



Valisi Diaphragm pumps
a brand of Asco Pompe

Via Silvio Pellico, 6/8 - 20089 Rozzano (MI) - ITALY
Phone: +39 02 89257.1 - Fax: +39 02 89257.201
www.ascopompe.com - www.valisipumps.com
asco@ascopompe.com

Model V30CS Metal

AIR OPERATED DOUBLE DIAPHRAGM PUMPS



A brand of Asco Pompe

Diaphragm Pumps

STEPPING UP WITH US

Specifications

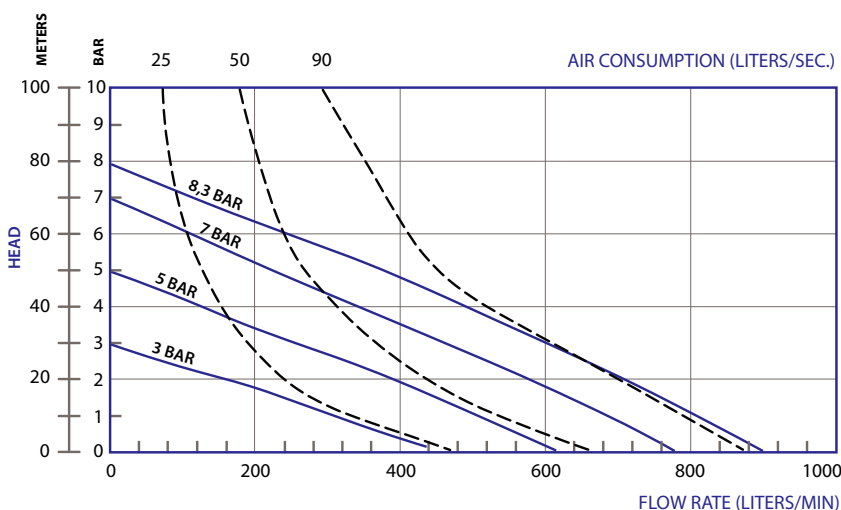
Suction & Discharge Size:	DN 80
Standard Porting Location:	Center
Connection Types:	DIN Flanges
Air Inlet & Air Exhaust Size:	3/4" FNPT x 3/4" FNPT

Capabilities

Max. Flow Rate:	903 lpm
Max. Air Supply Pressure:	8,3 bar
Displacement Per Stroke:	7,67 lit
Min. Air Inlet Pressure:	0,9 bar
Max. Particle Size:	9,0 mm
Sound Pressure:	75 dB(A)
Operating temperature:	Determined by elastomers



V30CS Performance



Typical Applications

- Acids & Bases
- Plating Solutions
- Wastewater
- Paints, Inks, Solvents
- Ceramic Slip and Glaze
- Lubricants and Oils

Typical Industries

- Mining
- Paints and Coatings
- Ceramics
- Pulp and Paper
- Electroplating & Anodizing
- Wastewater
- Marine
- Chemical Manufacturing & Distribution
- OEM's



Excellence In Fluid Handling



Valisi Diaphragm pumps
a brand of Asco Pompe

Via Silvio Pellico, 6/8 - 20089 Rozzano (MI) - ITALY
Phone: +39 02 89257.1 - Fax: +39 02 89257.201
www.ascopompe.com - www.valisipumps.com
asco@ascopompe.com



A brand of Asco Pompe

Diaphragm Pumps

STEPPING UP WITH US

Construction

Wetted Materials:	AISI 316
Diaphragm Materials:	Santoprene™, Buna, PTFE
Air Valve:	Aluminum
Ball Materials:	Santoprene™, Buna, PTFE
Seat Materials:	Santoprene™, Aluminum, St. Steel
O-ring Materials:	Buna, EPDM, PTFE

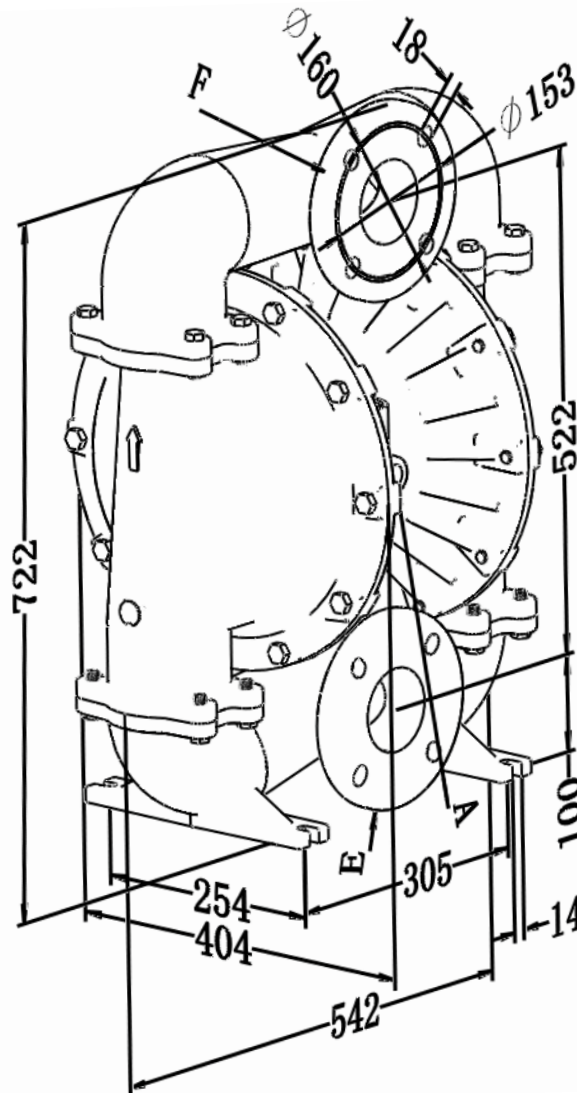
Santoprene™ is a registered tradename of Exxon Mobil Corp.

Dimensions

Maximum Height:	722 mm
Maximum Width:	542 mm
Maximum Depth:	404 mm

Weight

Stainless Steel:	95 kg
------------------	-------



Excellence In Fluid Handling



Valisi Diaphragm pumps
a brand of Asco Pompe

Via Silvio Pellico, 6/8 - 20089 Rozzano (MI) - ITALY
Phone: +39 02 89257.1 - Fax: +39 02 89257.201
www.ascopompe.com - www.valisipumps.com
asco@ascopompe.com

Model V30CI Metal

AIR OPERATED DOUBLE DIAPHRAGM PUMPS



A brand of Asco Pompe
Diaphragm Pumps

STEPPING UP WITH US

Specifications

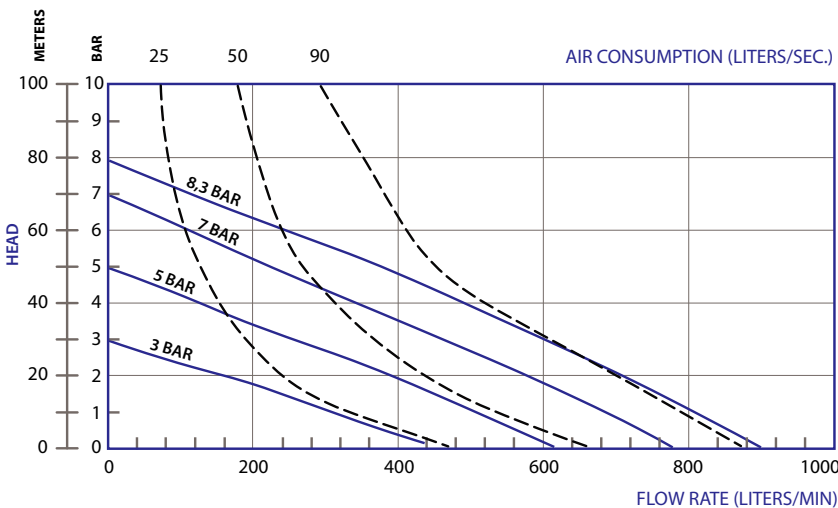
Suction & Discharge Size:	3" x 3"
Standard Porting Location:	Center
Connection Types:	FBSPT
Air Inlet & Air Exhaust Size:	3/4" FNPT x 3/4" FNPT

Capabilities

Max. Flow Rate:	903 lpm
Max. Air Supply Pressure:	8,3 bar
Displacement Per Stroke:	7,67 lit
Min. Air Inlet Pressure:	0,9 bar
Max. Particle Size:	9,0 mm
Sound Pressure:	75 dB(A)
Operating temperature:	Determined by elastomers



V30CI Performance



Typical Applications

- Acids & Bases
- Plating Solutions
- Wastewater
- Paints, Inks, Solvents
- Ceramic Slip and Glaze
- Lubricants and Oils

Typical Industries

- Mining
- Paints and Coatings
- Ceramics
- Pulp and Paper
- Electroplating & Anodizing
- Wastewater
- Marine
- Chemical Manufacturing & Distribution
- OEM's



Excellence In Fluid Handling



Valisi Diaphragm pumps
a brand of Asco Pompe

Via Silvio Pellico, 6/8 - 20089 Rozzano (MI) - ITALY
Phone: +39 02 89257.1 - Fax: +39 02 89257.201
www.ascopompe.com - www.valisipumps.com
asco@ascopompe.com



A brand of Asco Pompe

Diaphragm Pumps

STEPPING UP WITH US

Construction

Wetted Materials:	Cast Iron
Diaphragm Materials:	Santoprene™, Buna, PTFE
Air Valve:	Aluminum
Ball Materials:	Santoprene™, Buna, PTFE
Seat Materials:	Santoprene™, Aluminum, C.Steel
O-ring Materials:	Buna, EFDM, PTFE

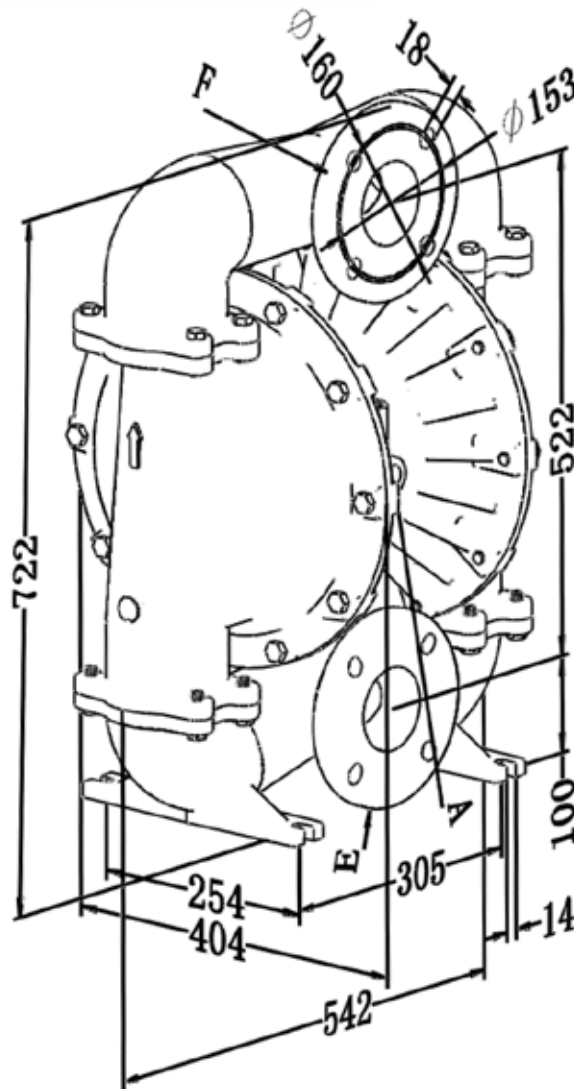
Santoprene™ is a registered tradename of Exxon Mobil Corp.

Dimensions

Maximum Height:	722 mm
Maximum Width:	542 mm
Maximum Depth:	404 mm

Weight

Cast Iron:	91 kg
------------	-------



Excellence In Fluid Handling



Valisi Diaphragm pumps
a brand of Asco Pompe

Via Silvio Pellico, 6/8 - 20089 Rozzano (MI) - ITALY
Phone: +39 02 89257.1 - Fax: +39 02 89257.201
www.ascopompe.com - www.valisipumps.com
asco@ascopompe.com



ISO POMPE
Excellence In Fluid Handling



Asco Pompe S.r.l.
 Via Silvio Pellico, 6/8
 20089 Rozzano (MI) - ITALY
 Phone: +39 02 89257.1
 Fax: +39 02 89257.201
 @: asco@ascopompe.com
 www.ascopompe.com
 www.valisipumps.com

